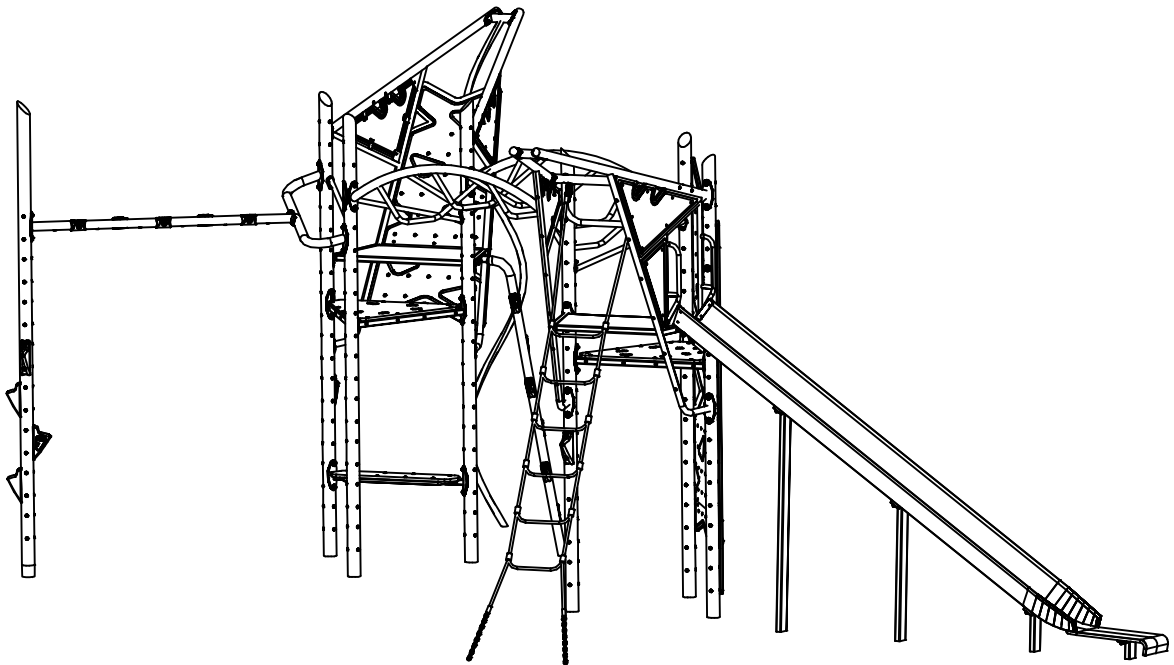
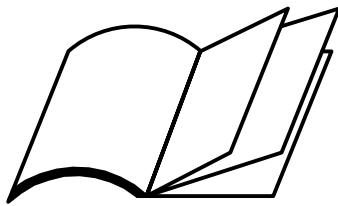


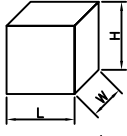
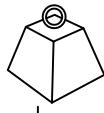
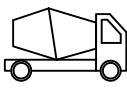
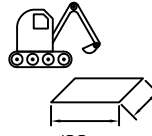
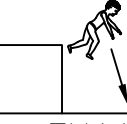

HAGS

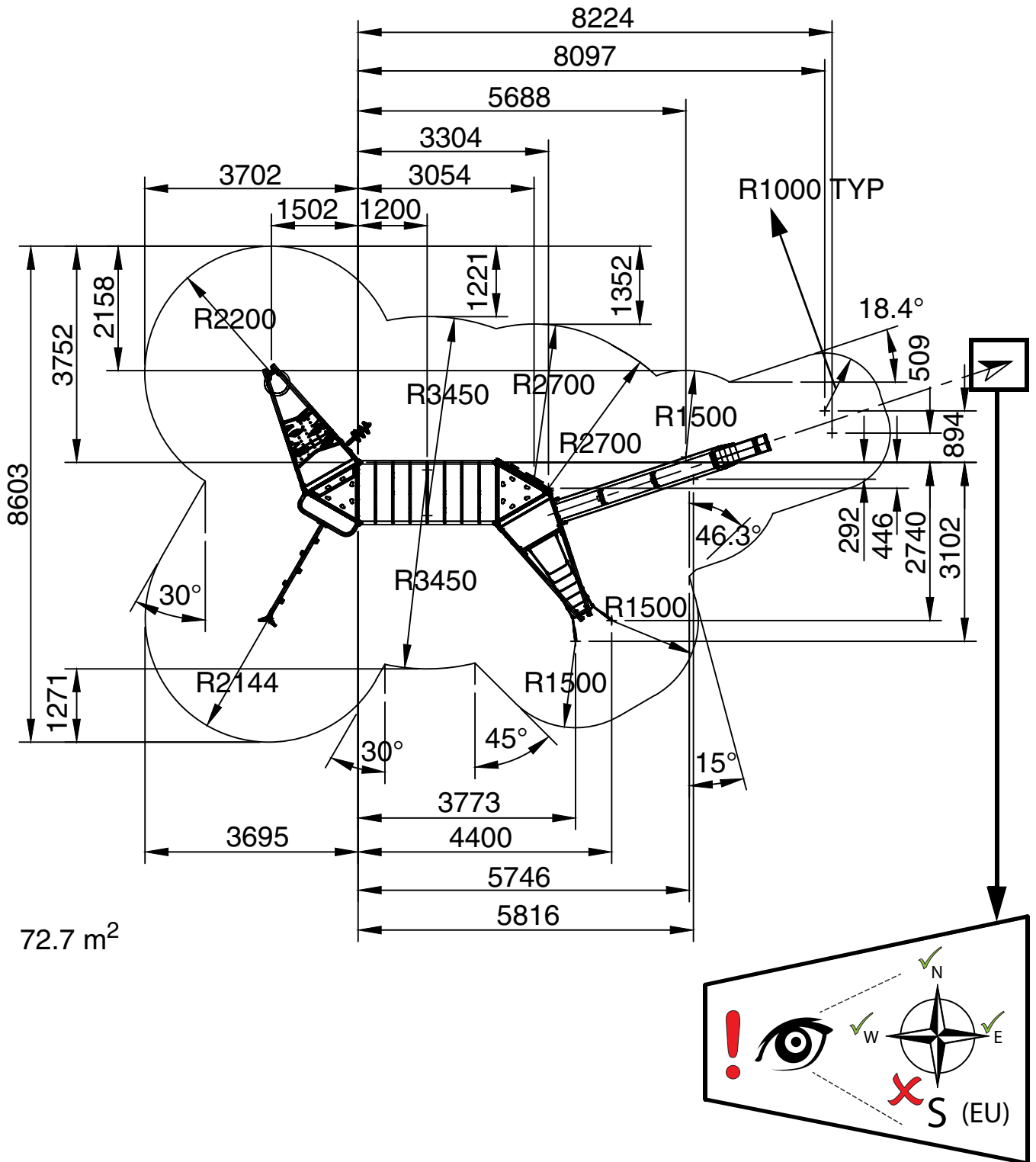
NEXUS ALTITUDE NXA-05S

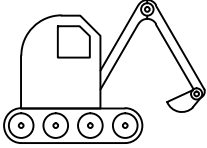




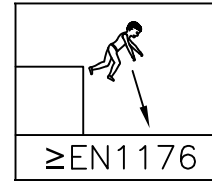
Section 1:

						
	LxWxH (m)	kg	m ³	m	≥EN1176	x 3 = T
NXA-05S	8.89 x 4.82 x 3.57	872.0	2.82	14.5 x 10.0	3.0m	T = 36h

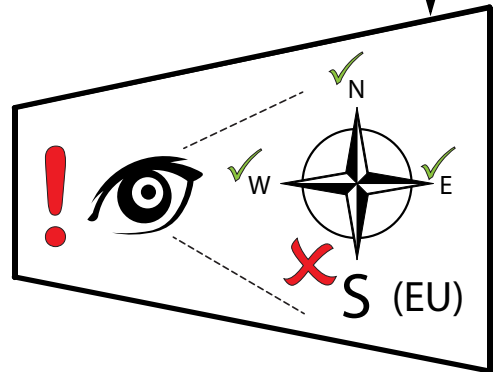
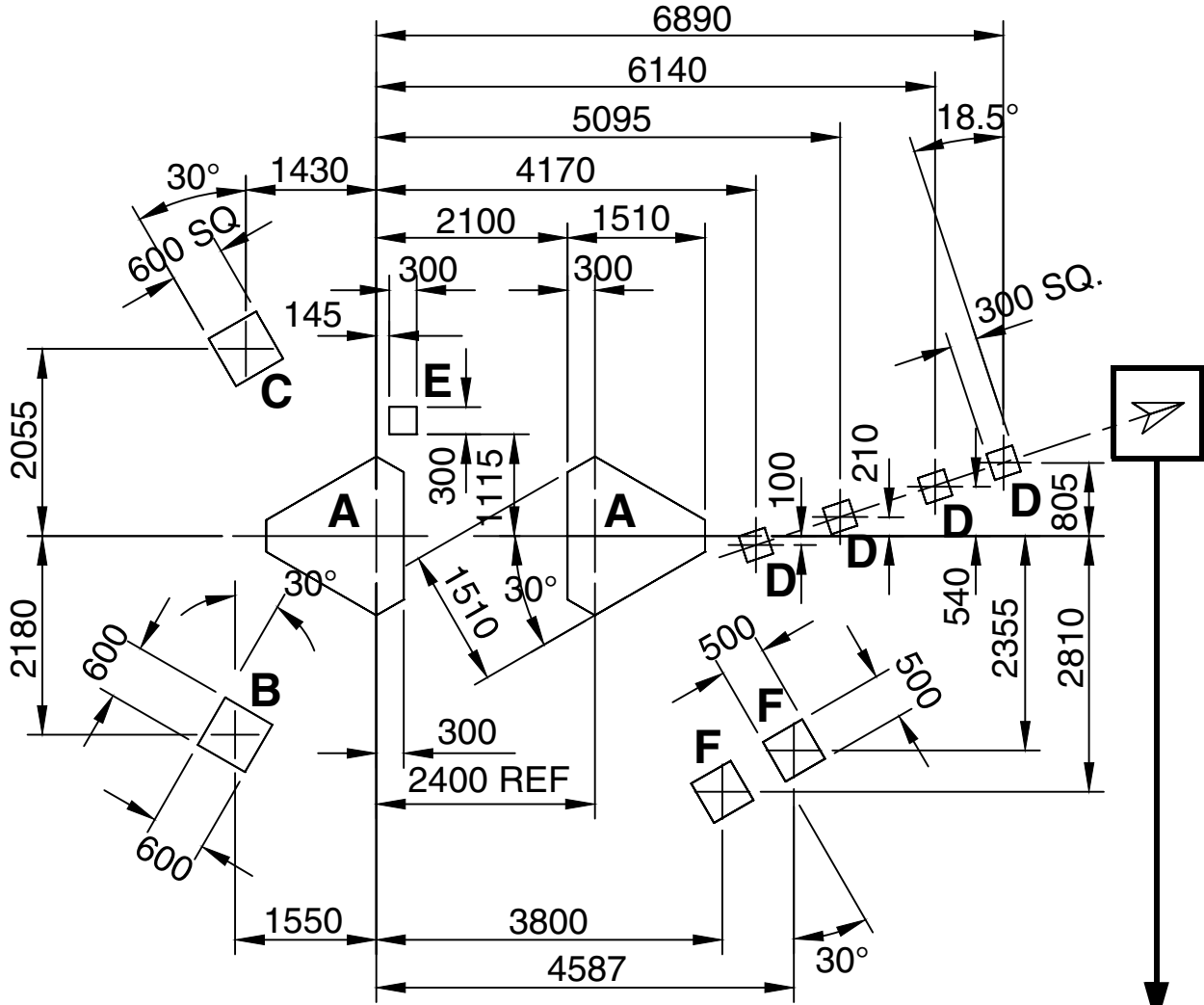


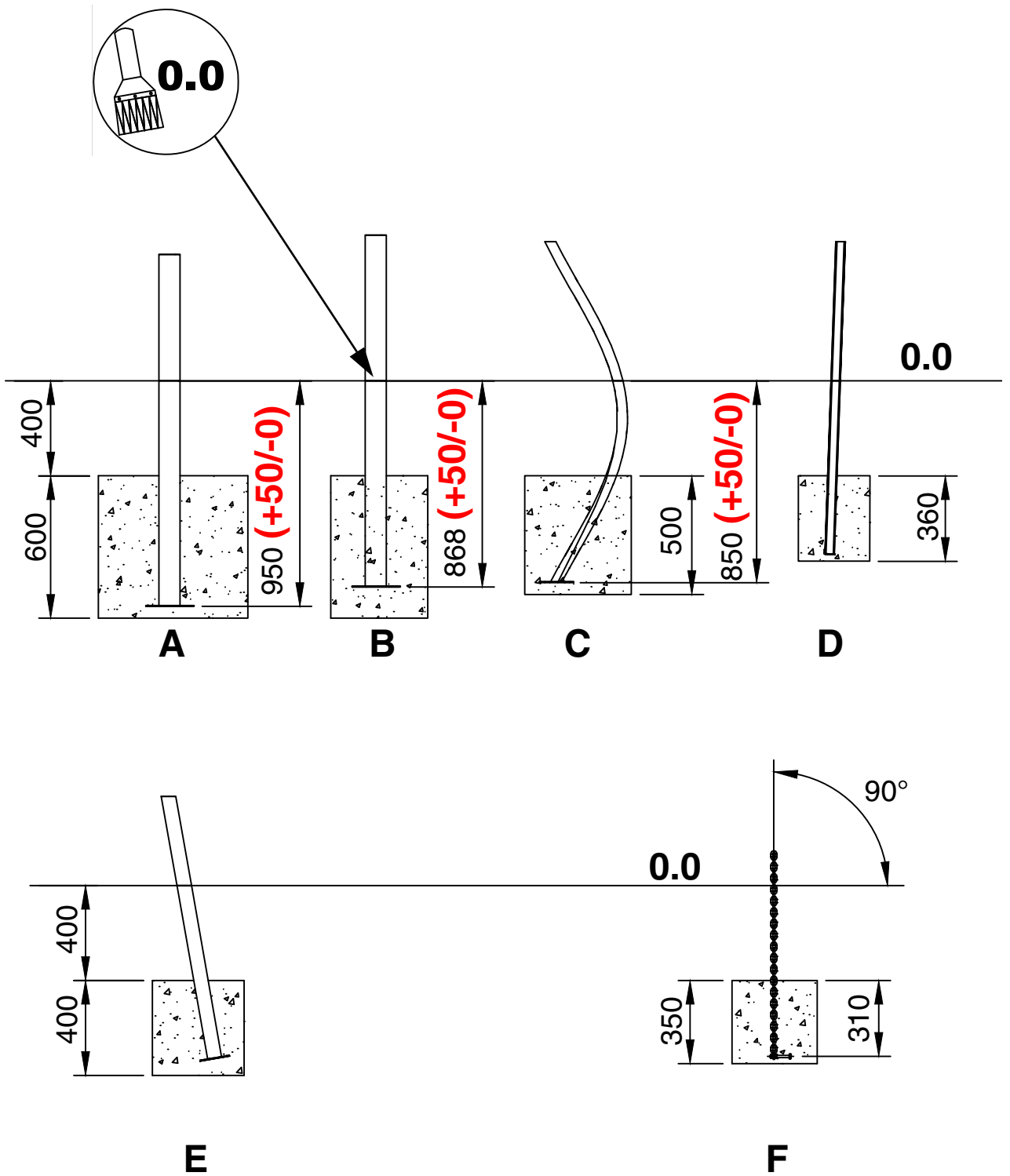


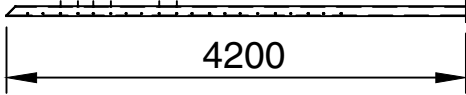
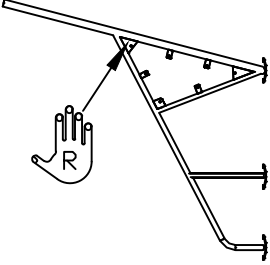
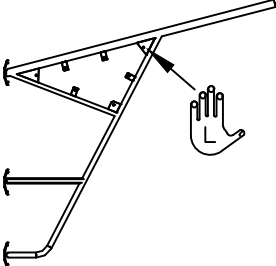
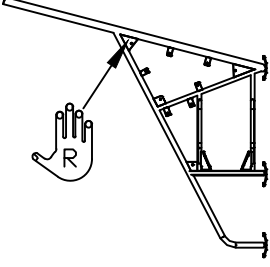
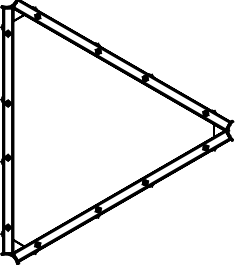
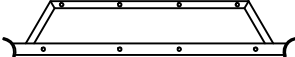
TYPE 1/2 & 3

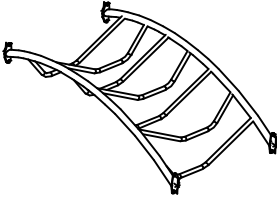
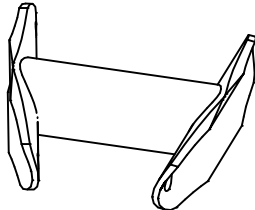
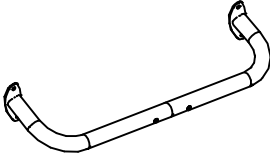
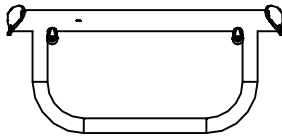
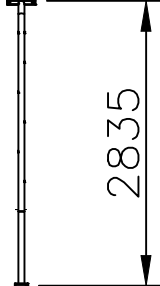
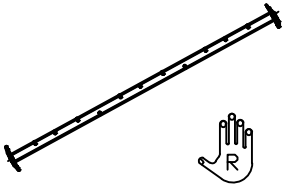
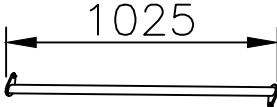


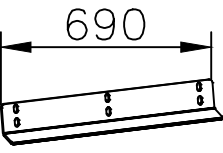
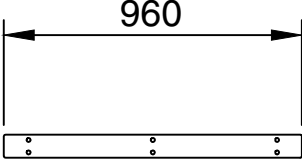
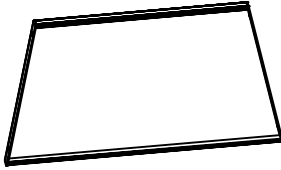
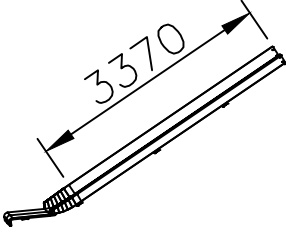




3.0 m

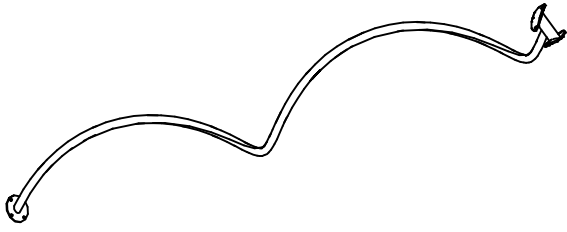
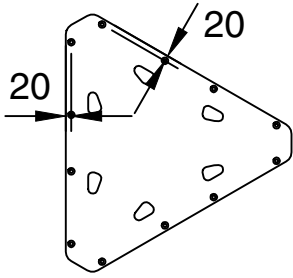
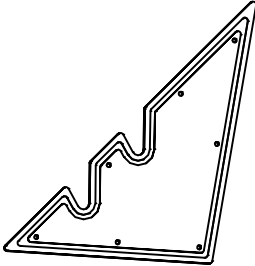
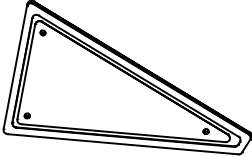
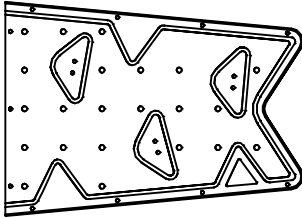
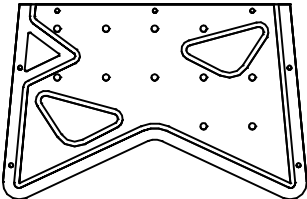


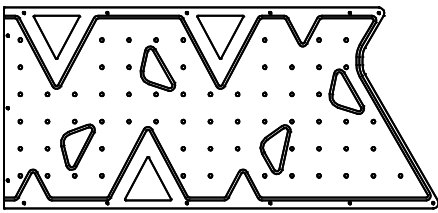
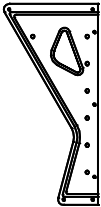
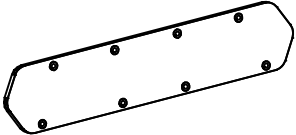
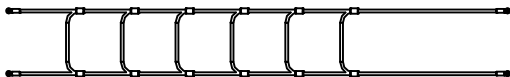

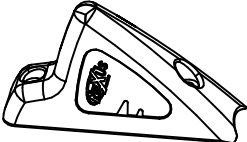
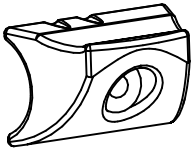
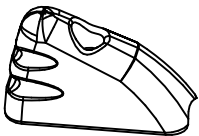
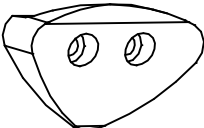


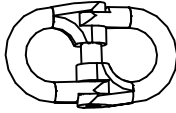
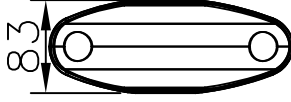
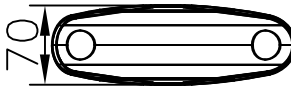
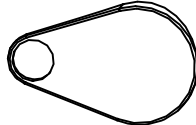
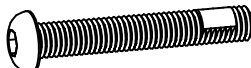


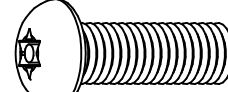
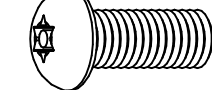

ITEM	REF	NXA-05S	QTY	kg
1	92003001		7	49.00
2	92003005		1	24.00
3	92003010		2	24.00
4	92003015		1	31.00
5	91010030		2	11.00
6	91020010		1	6.50

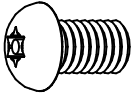
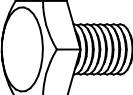
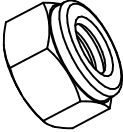
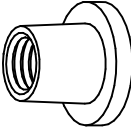
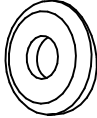
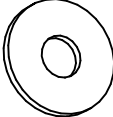
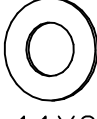
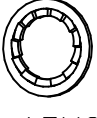
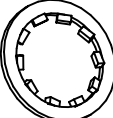
ITEM	REF	NXA-05S	QTY	kg
7	91030020		1	56.00
8	91070010		1	2.00
9	91050610		1	14.00
10	92003020		1	7.00
11	91050230		1	14.00
12	91061320		1	15.00
13	91050415		3	3.00

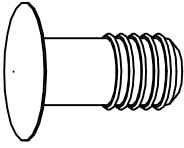
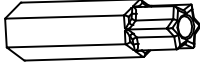

ITEM	REF	NXA-05S	QTY	kg
14	91070240		1	3.20
15	92003025		1	2.50
16	91070410		2	16.5
17	45032100		1	47.00
18	70032701		1	4.50
19	45039001		1	5.80
20	45039003		1	10.50
21	45039005		1	13.10

ITEM	REF	NXA-05S	QTY	kg
22	92004005		1	20.00
23	91010040		2	8.00
24	92002020		4	4.80
25	92002025		1	2.00
26	92002010		1	14.30
27	92002015		1	7.80

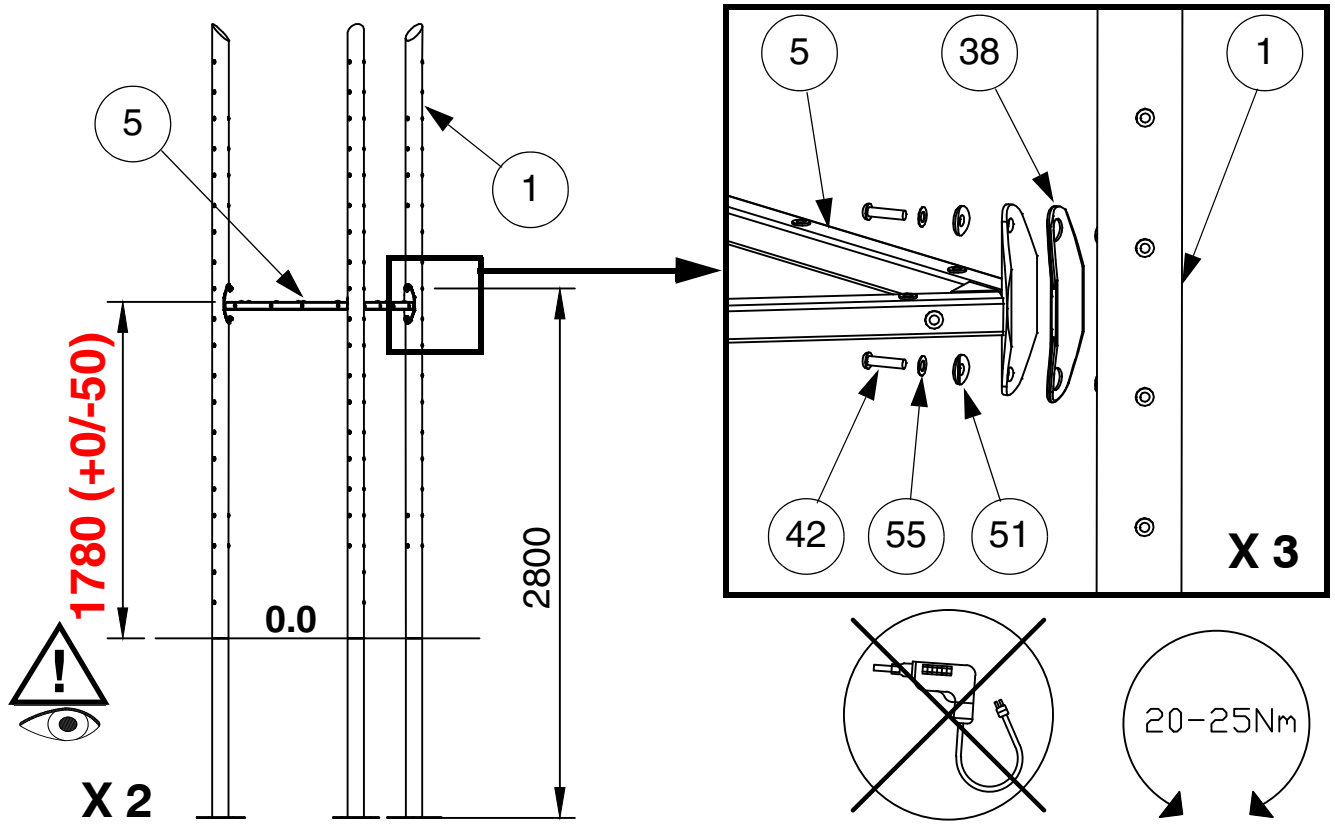
ITEM	REF	NXA-05S	QTY	kg
28	92002001		1	43.00
29	92002005		1	5.30
30	91020020		1	3.50
31	92006001		1	5.80
32	38008027		2	1.50
33	92004010		6	0.75
34	92004015		5	0.30
35	92004020		7	0.40
36	91070241		10	0.42

ITEM	REF	NXA-05S	QTY	kg
37	15715000		4	0.10
38	19023802		27	0.05
39	19023803		7	0.05
40	19025501		6	0.05
41	10121065	 M10 X 65	24	0.050
42	10121040	 M10 X 40	96	0.037
43	10121035	 M10 X 35	32	0.032
44	10121030	 M10 X 30	8	0.028
45	10121025	 M10 X 25	42	0.024
46	10121020	 M10 X 20	9	0.020

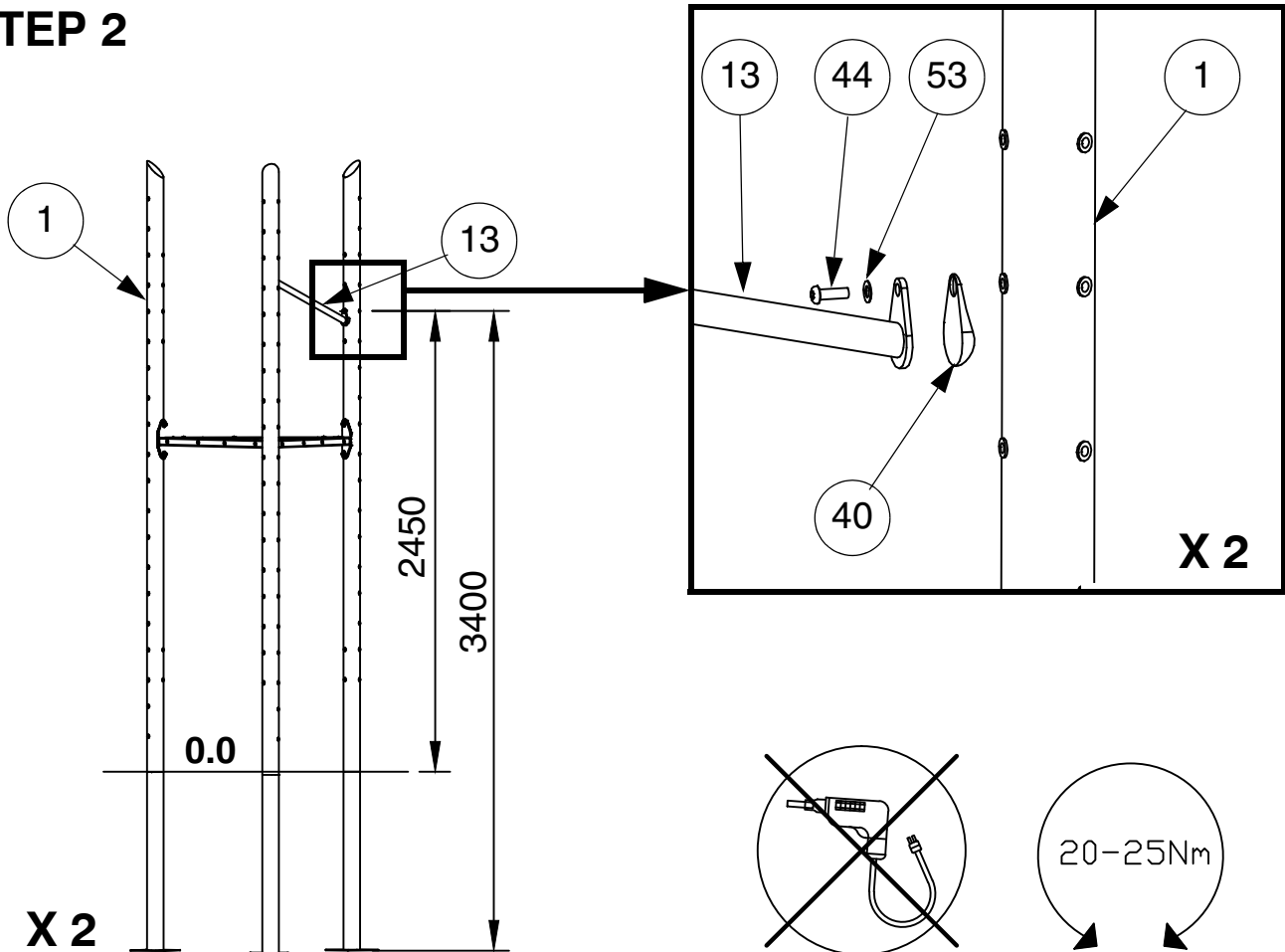
ITEM	REF	NXA-05S	QTY	kg
47	10120610	 M6 X 10	4	0.004
48	10251016	 M10 X 16	8	0.020
49	10260600	 M6	4	0.002
50	10931000	 M10	63	0.020
51	38001019	 M10 12X32X6.5	68	0.002
52	10309999	 M10 11X30X2.5	14	0.011
53	10291000	 M10 11X21X1	128	0.002
54	10301200	 M12 13X20X1	63	0.002
55	10301000	 M10 12X18X1	88	0.001

ITEM	REF	NXA-05S	QTY	kg
56	19024501		377	0.001
57	10121000	 <p data-bbox="871 539 1066 577">T45 M10</p>	3	-
58	10120600	 <p data-bbox="871 730 1046 768">T30 M6</p>	1	-

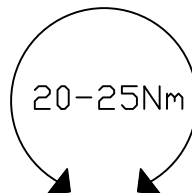
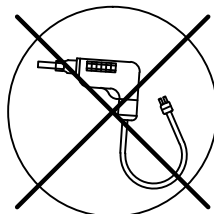
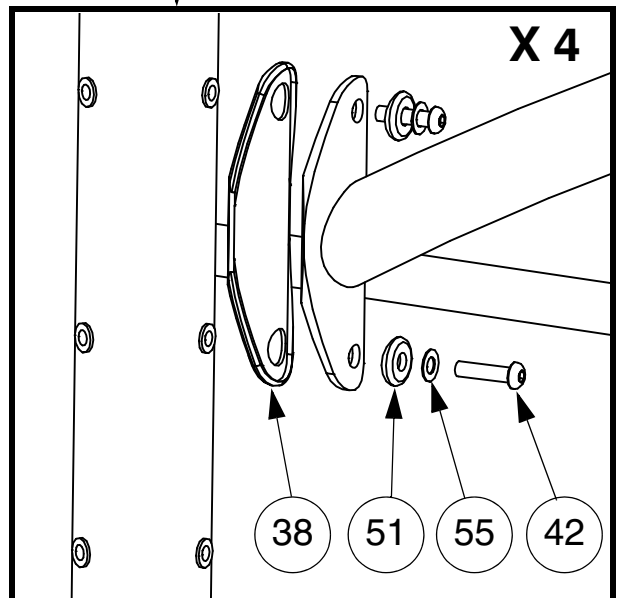
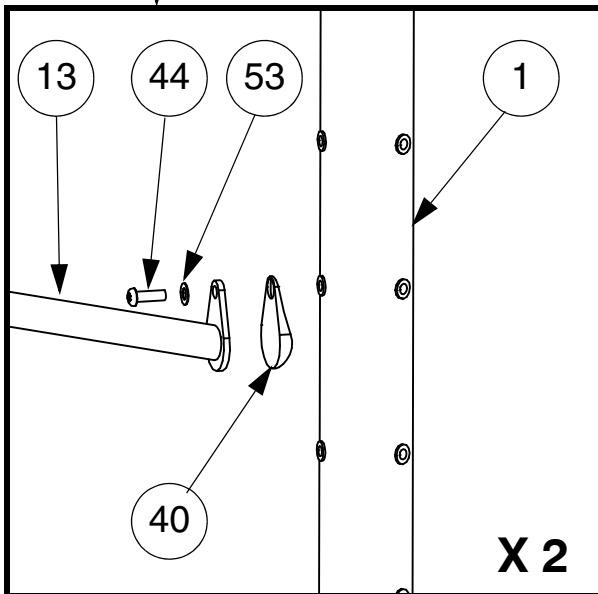
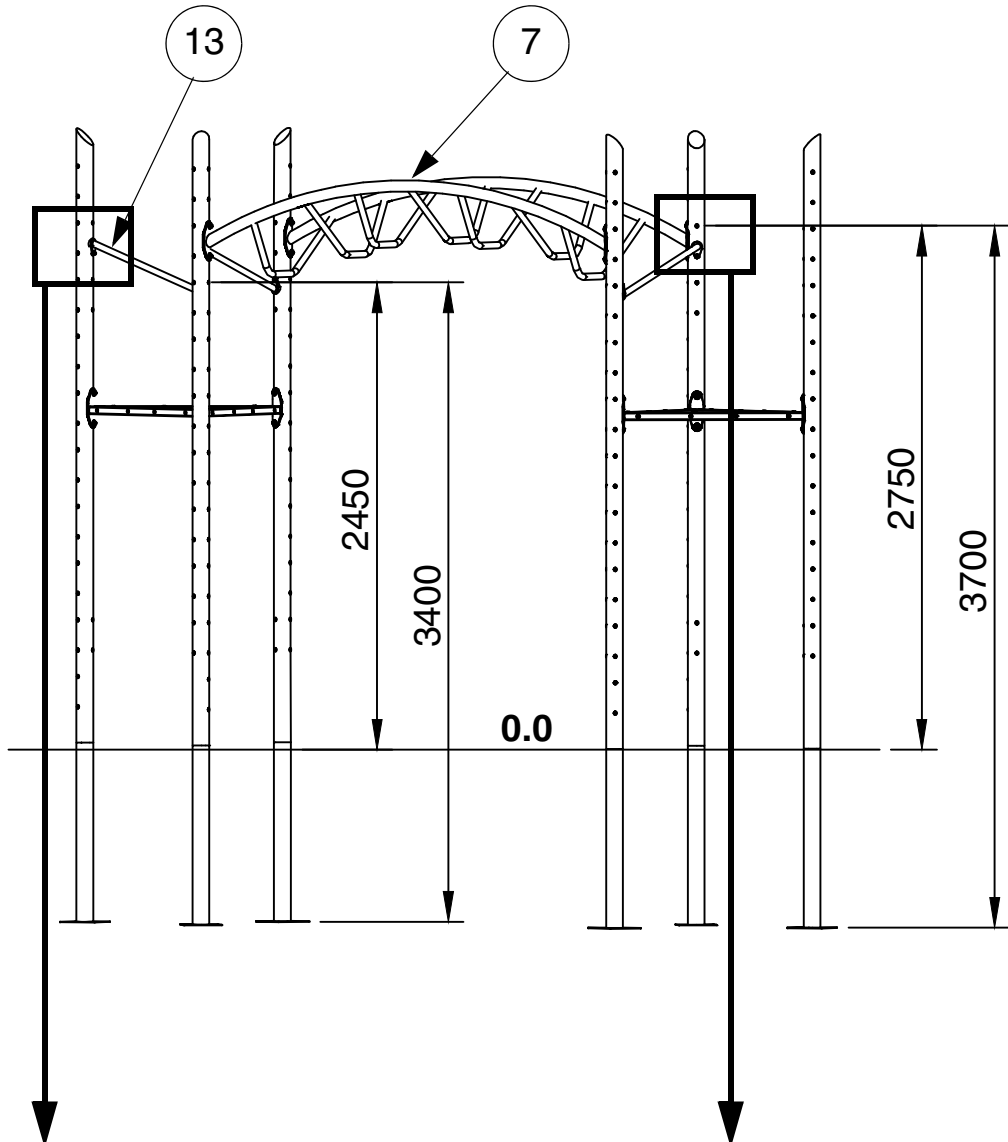
STEP 1



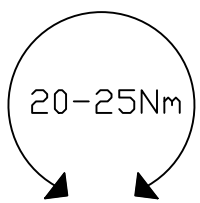
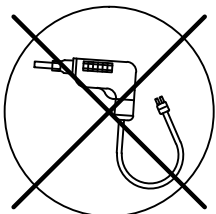
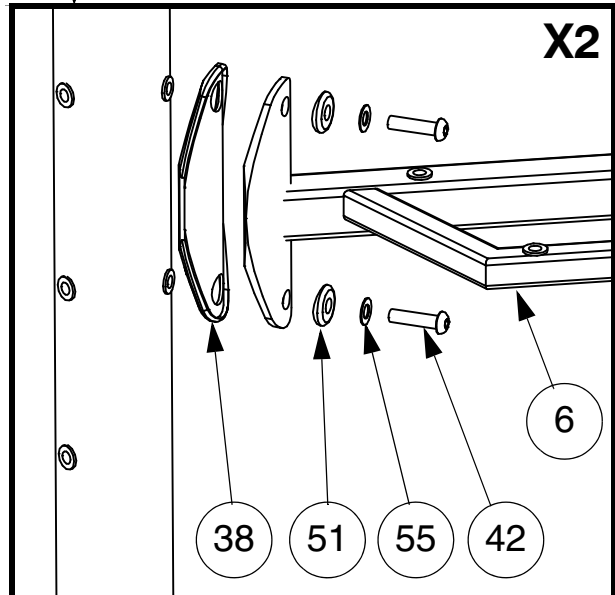
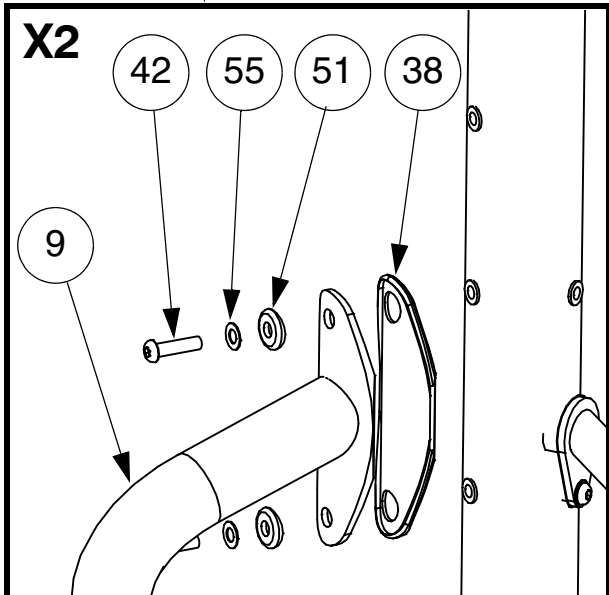
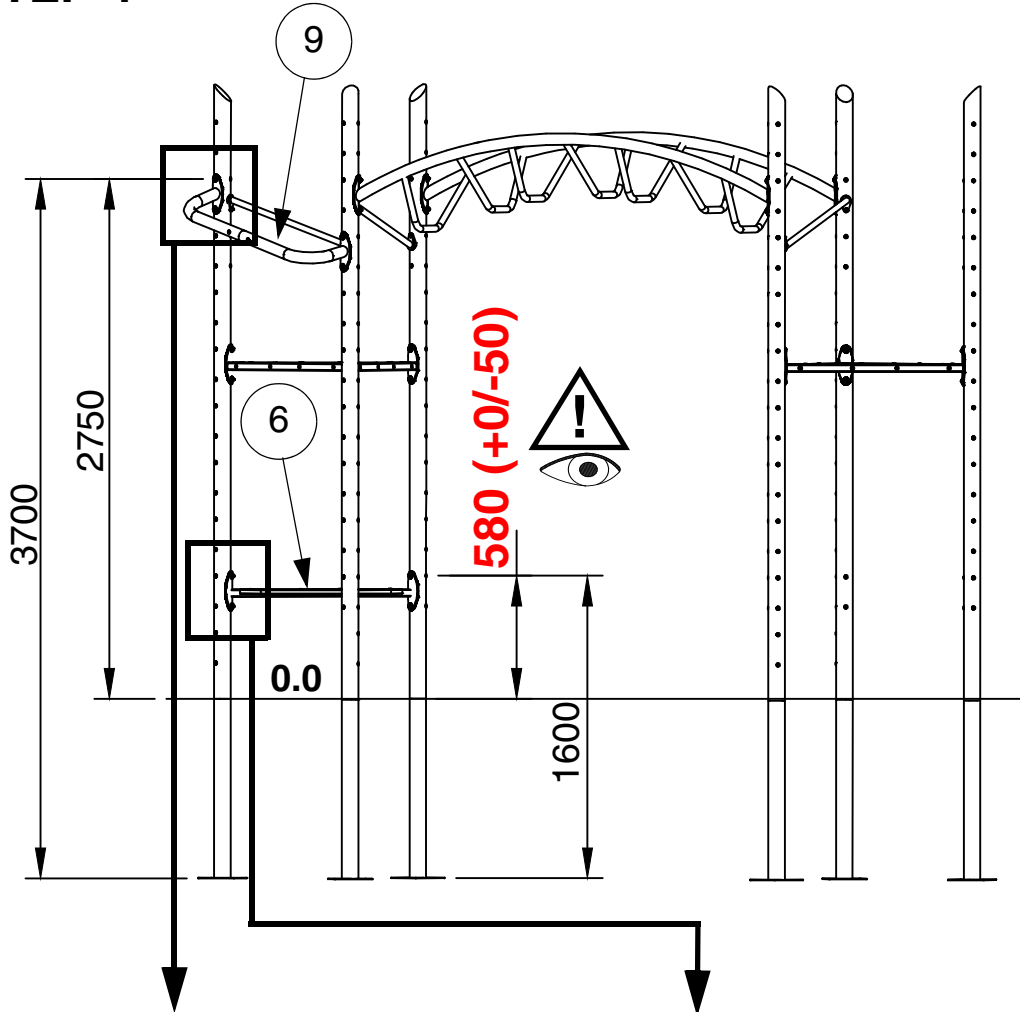
STEP 2



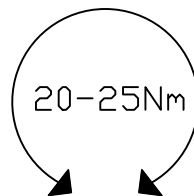
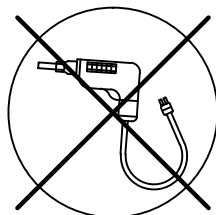
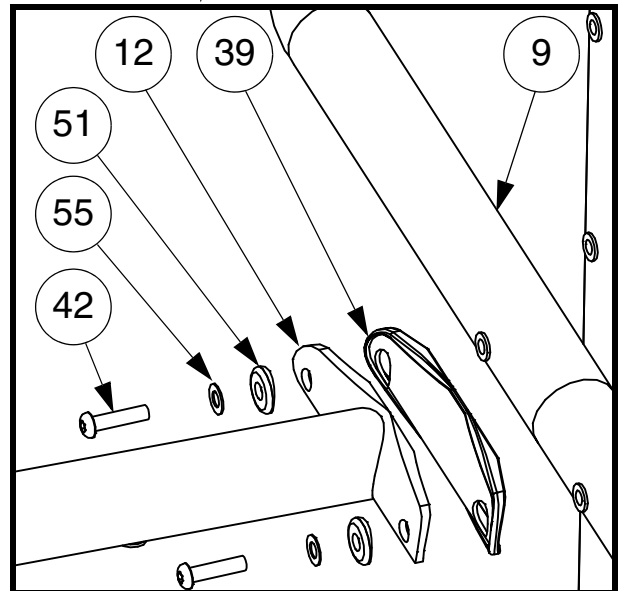
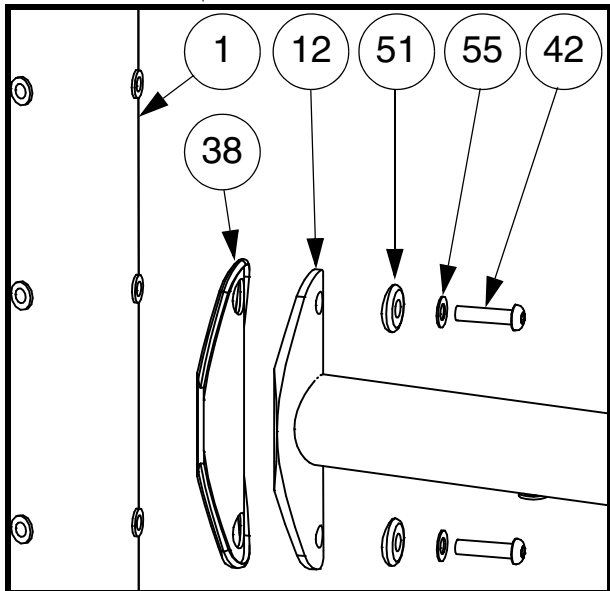
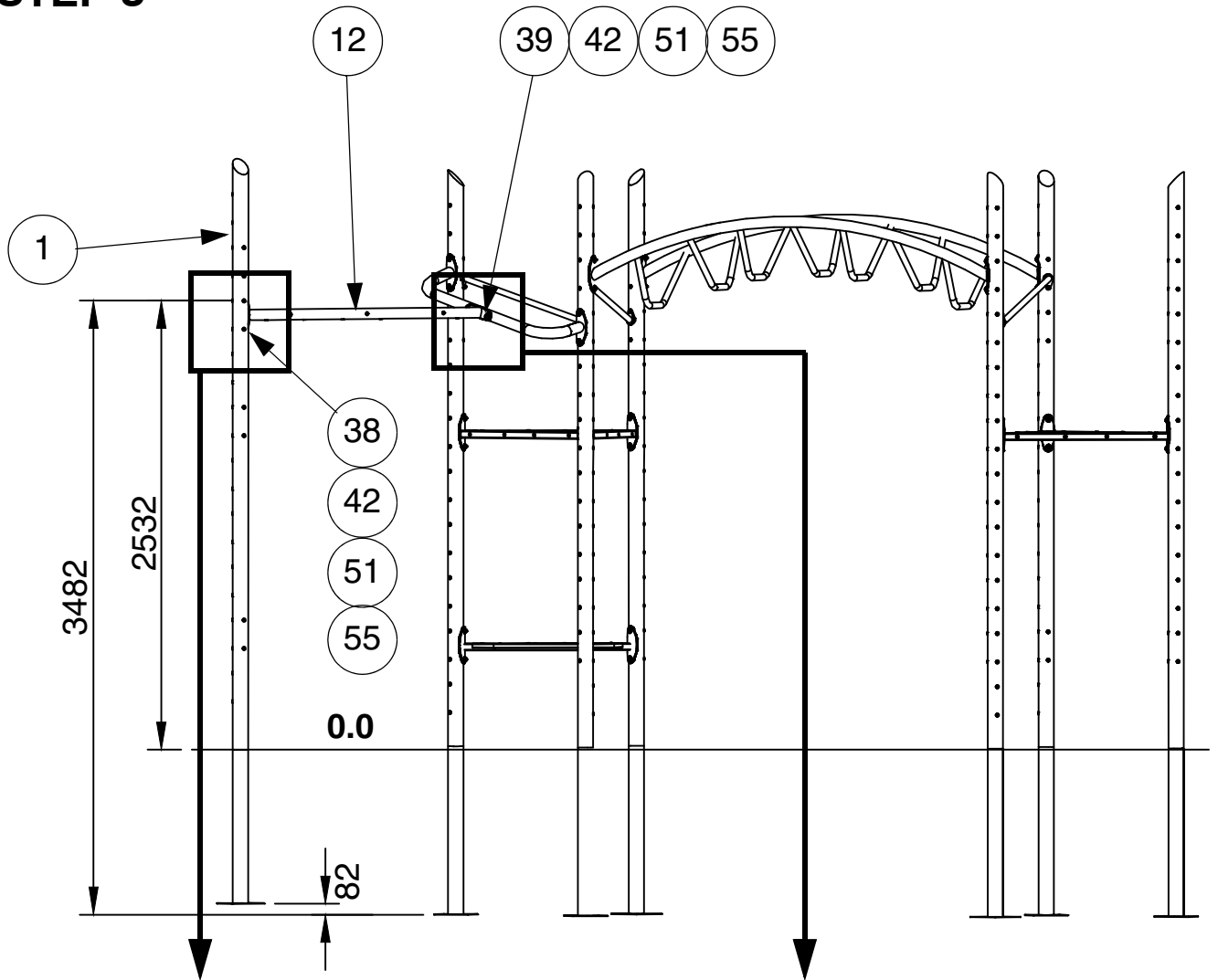
STEP 3



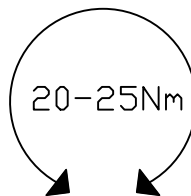
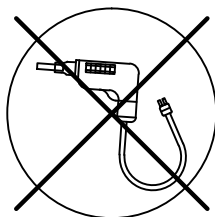
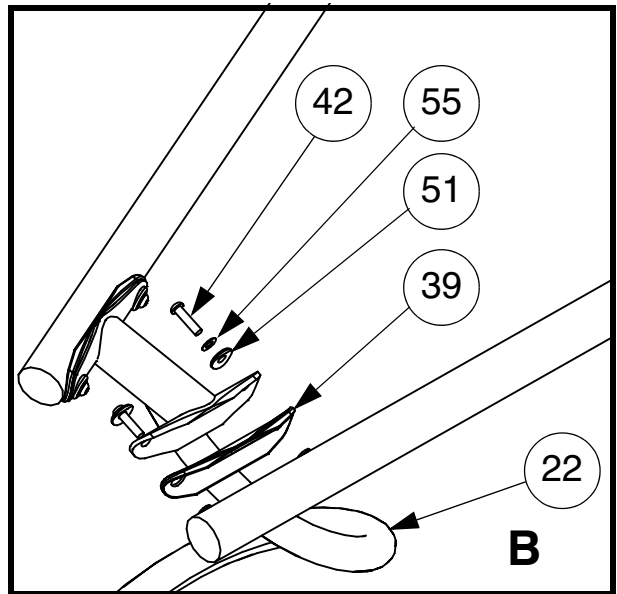
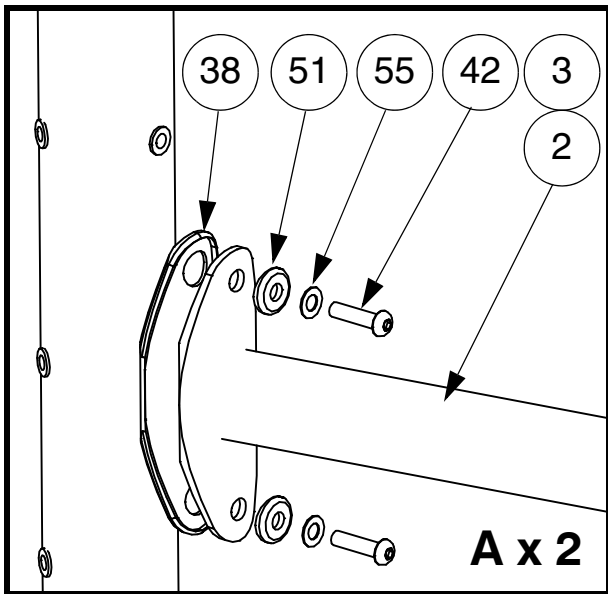
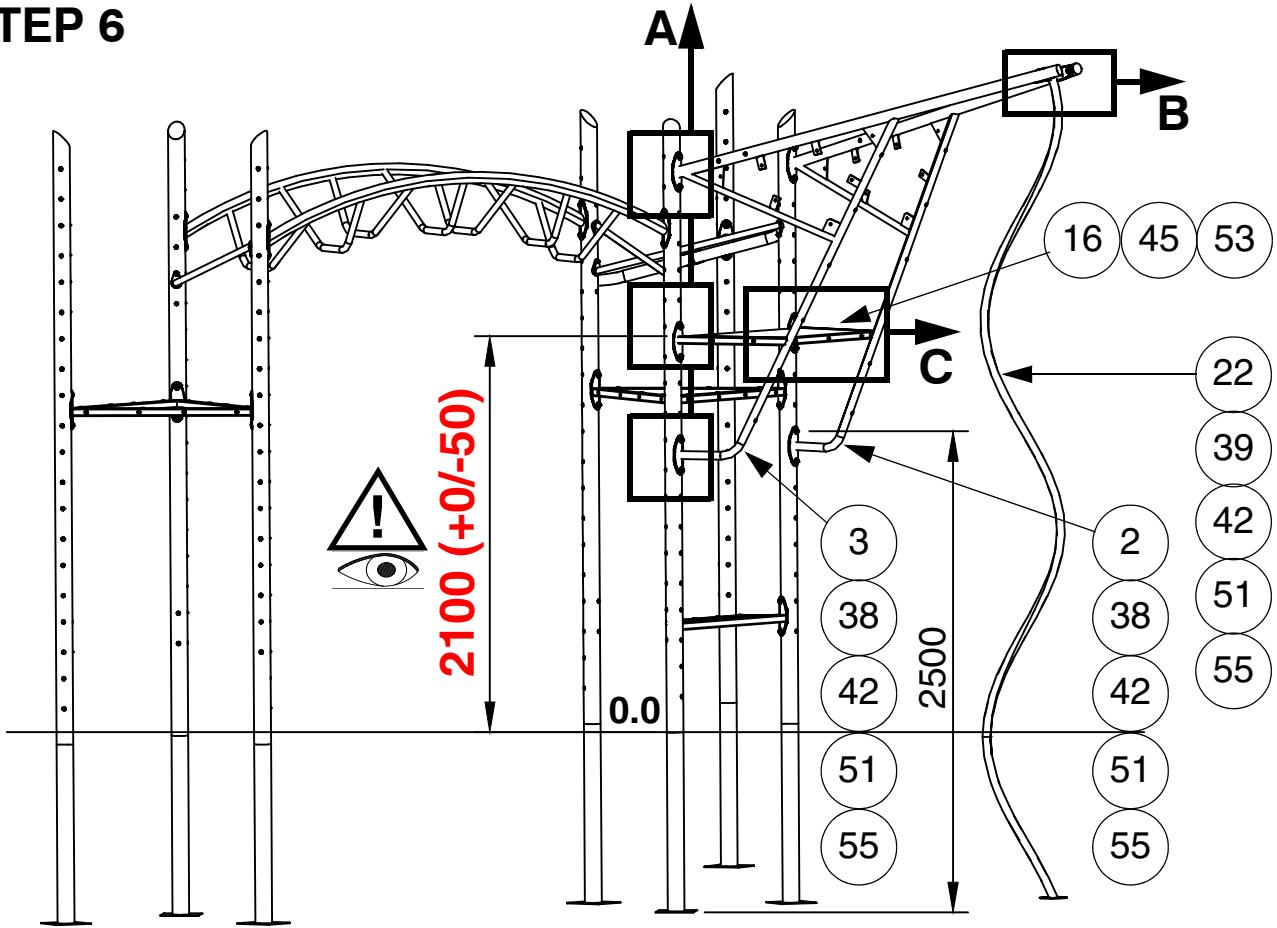
STEP 4

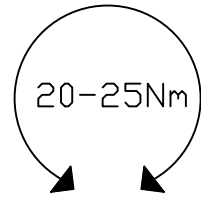
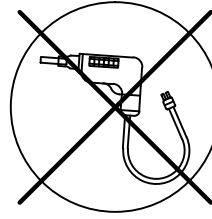
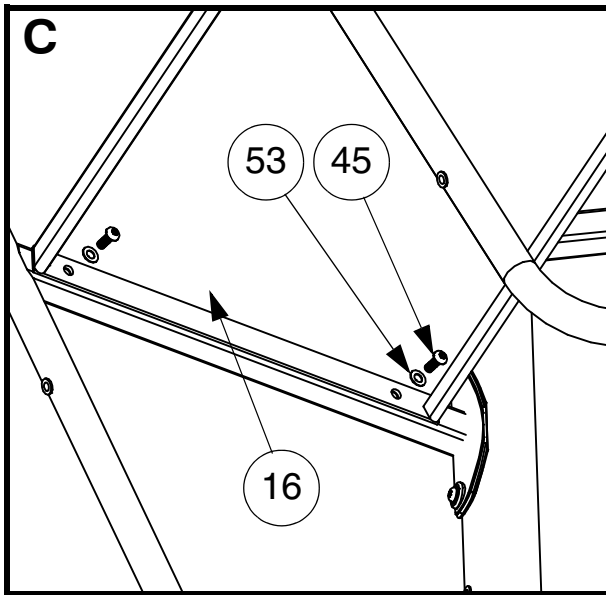


STEP 5

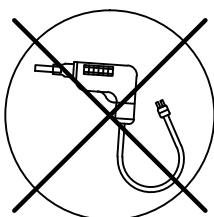
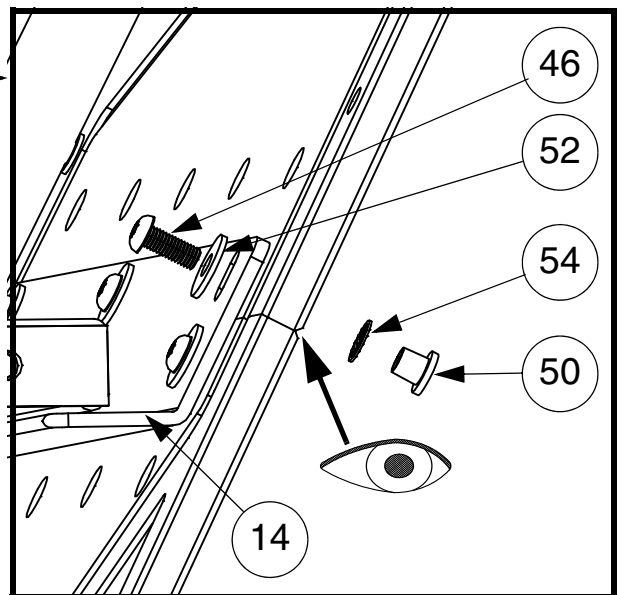
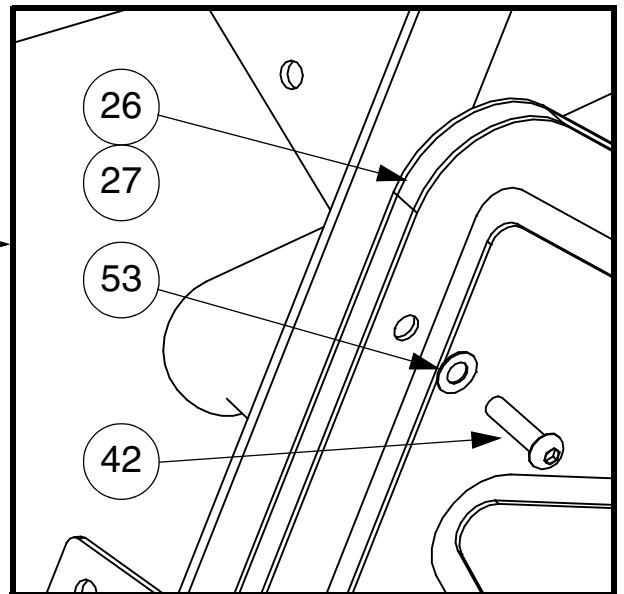
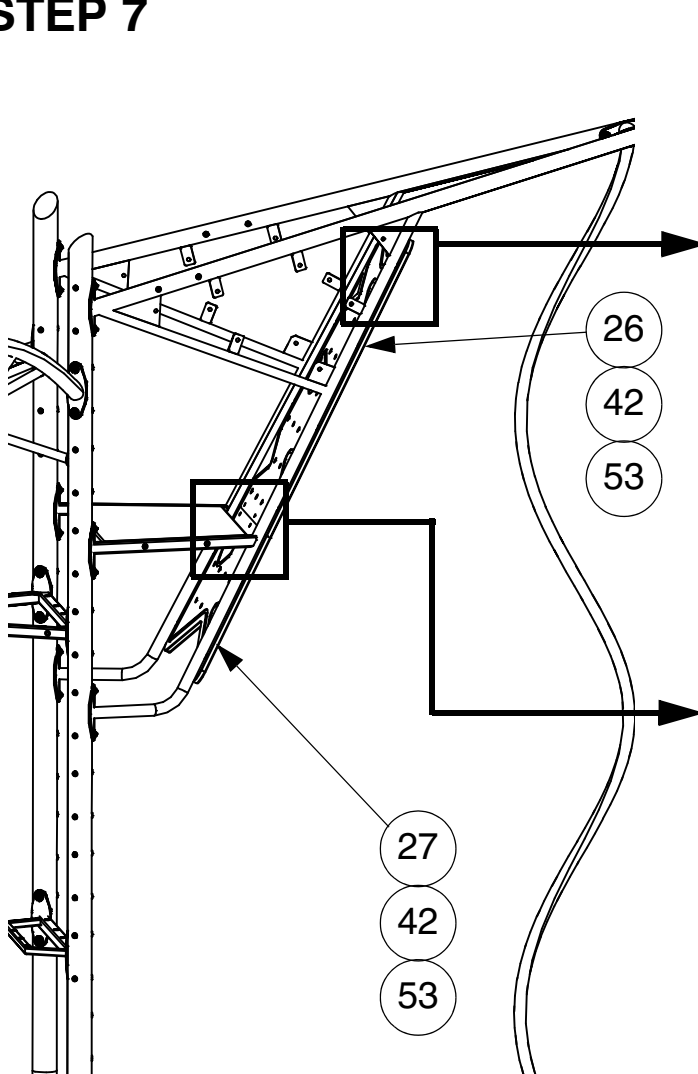


STEP 6

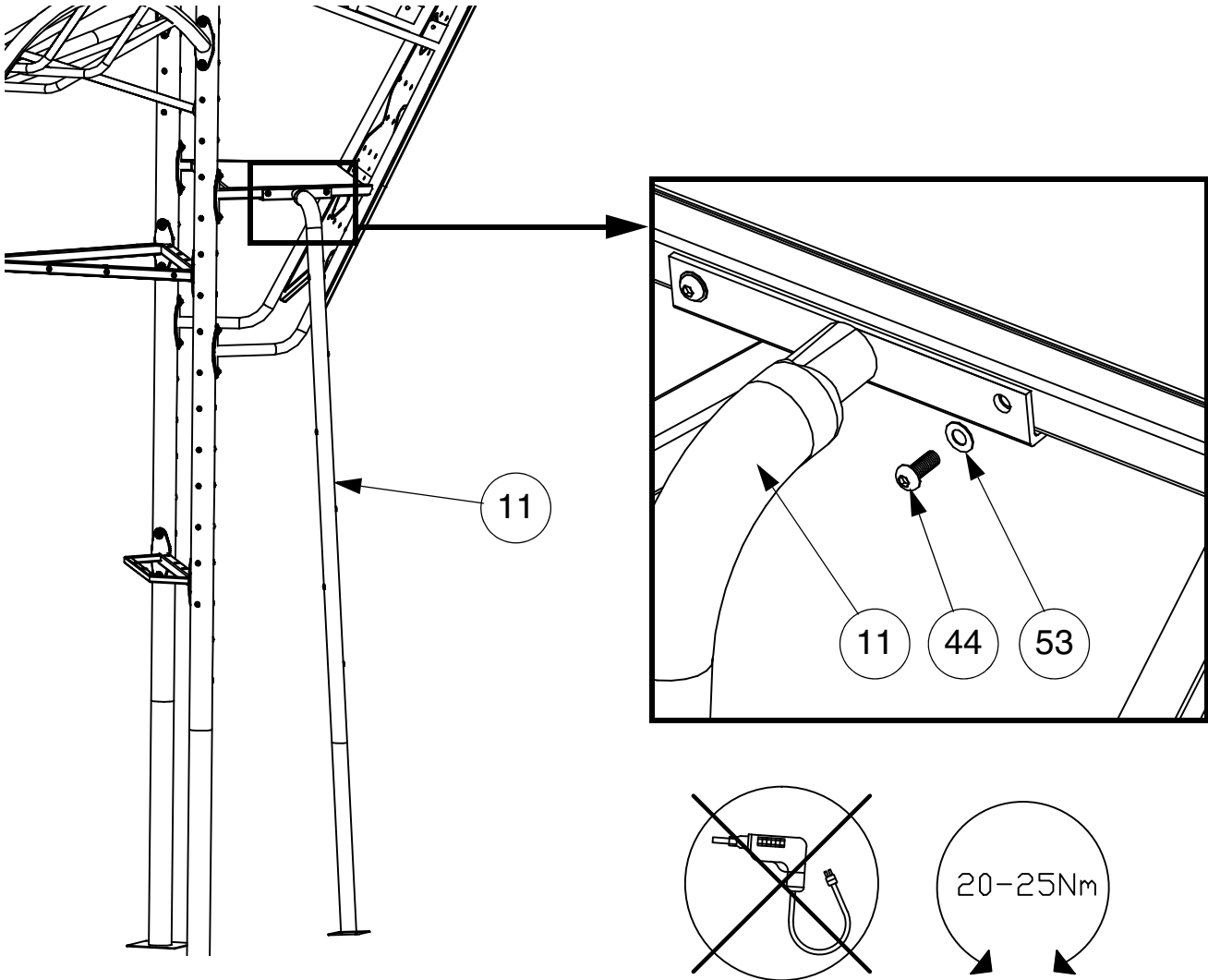




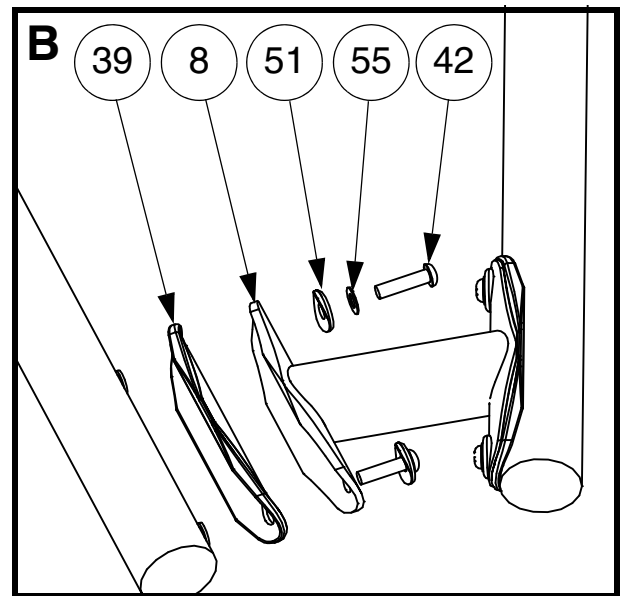
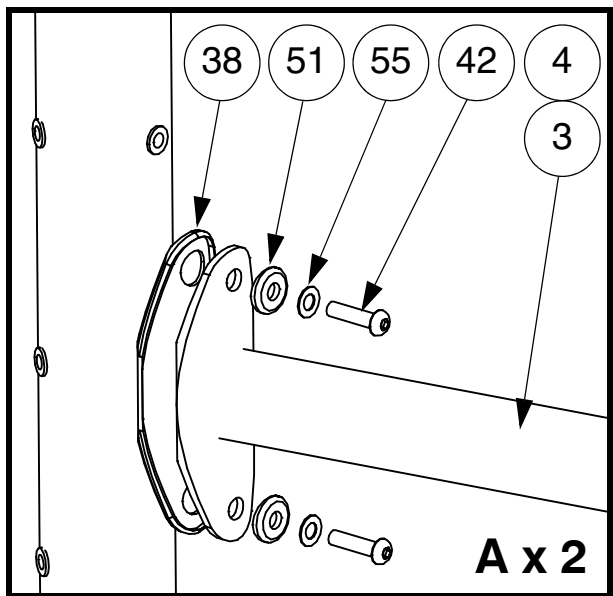
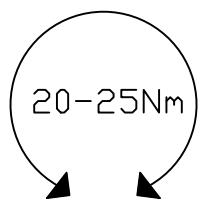
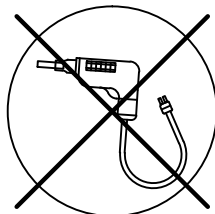
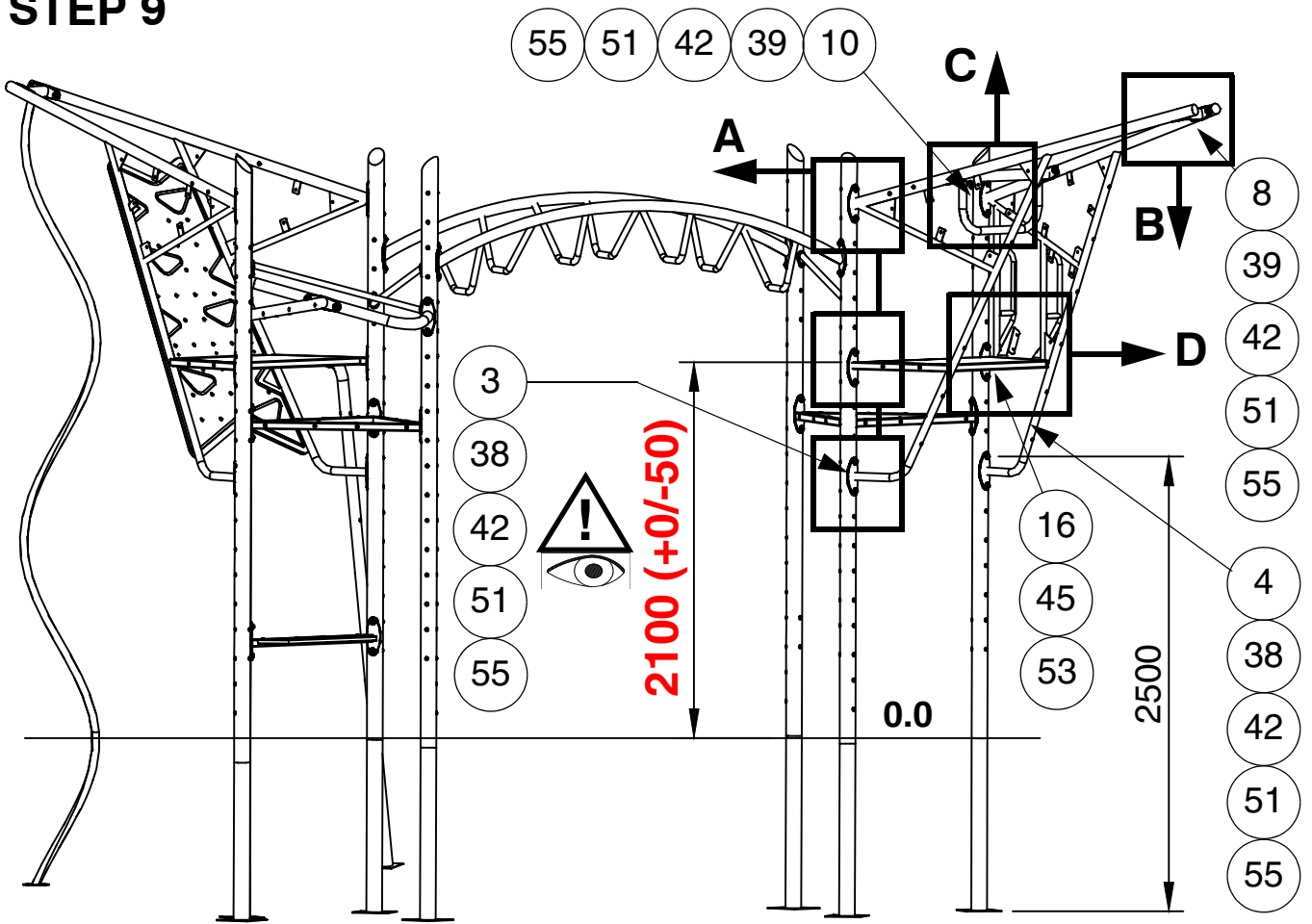
STEP 7

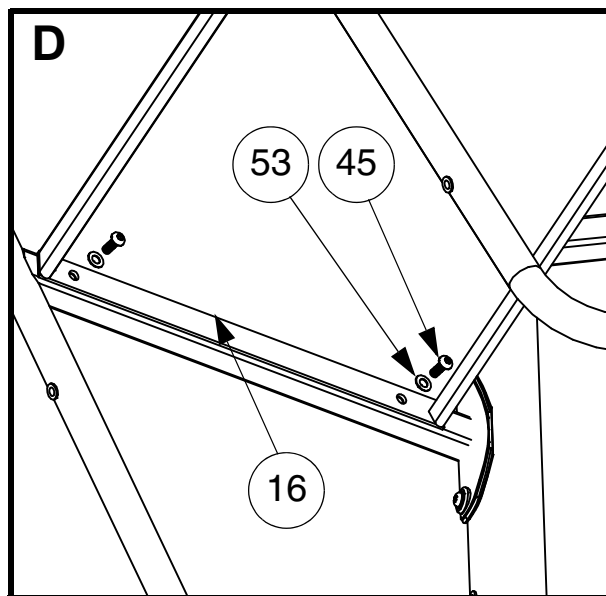
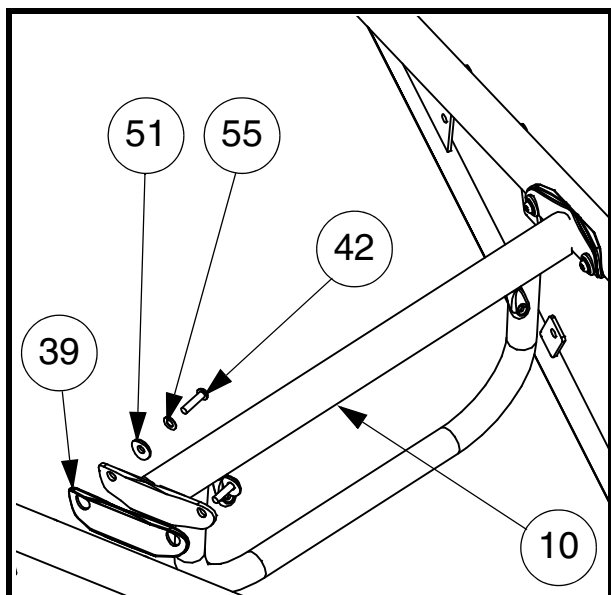


STEP 8

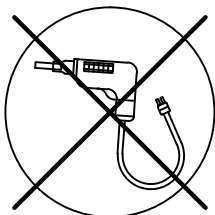
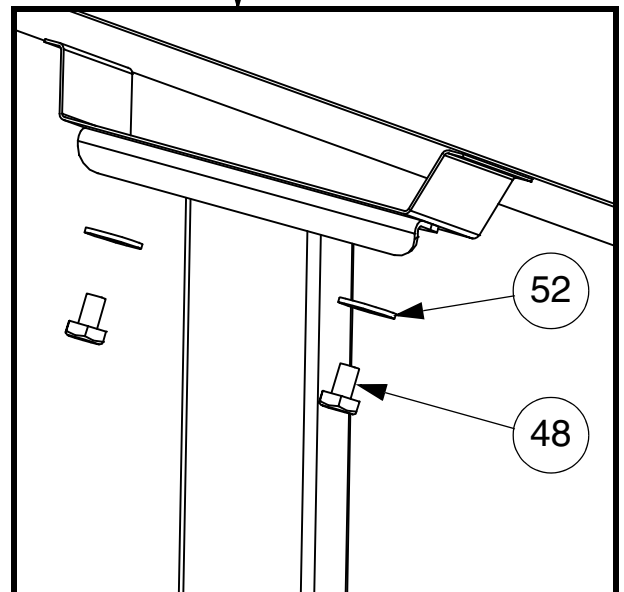
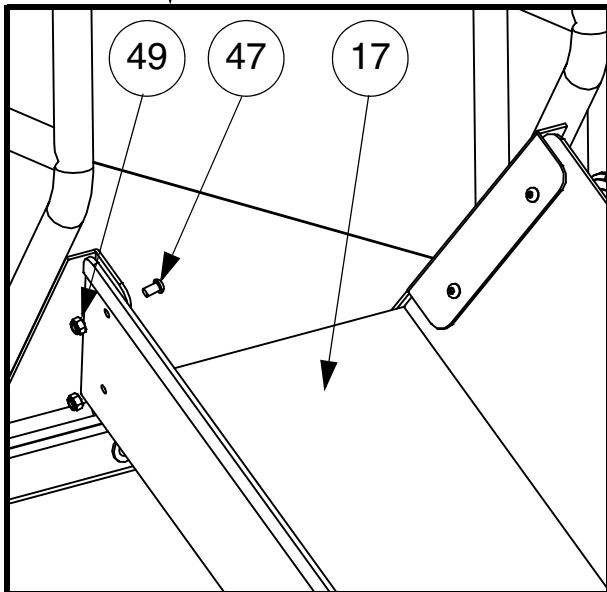
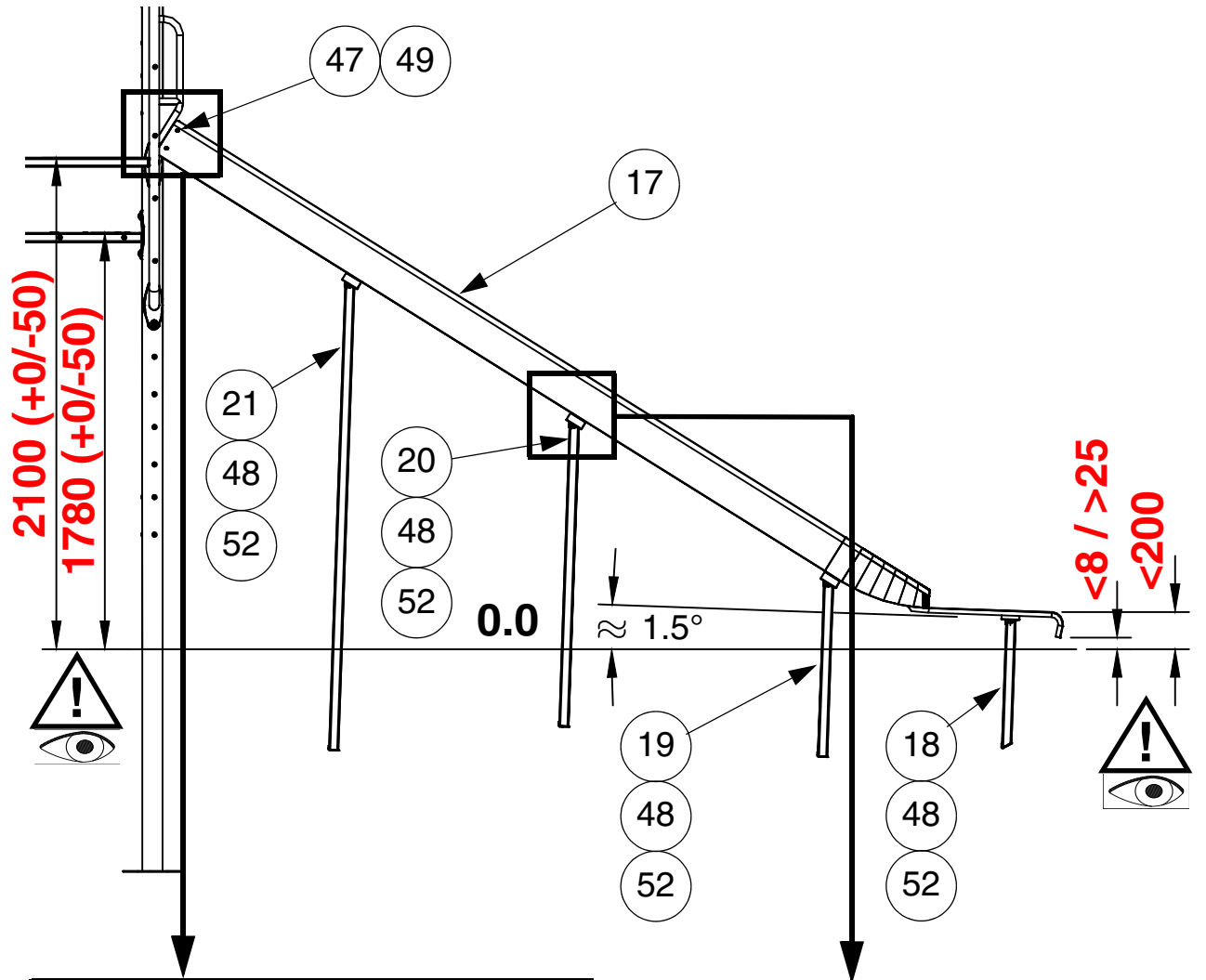


STEP 9



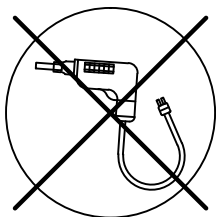
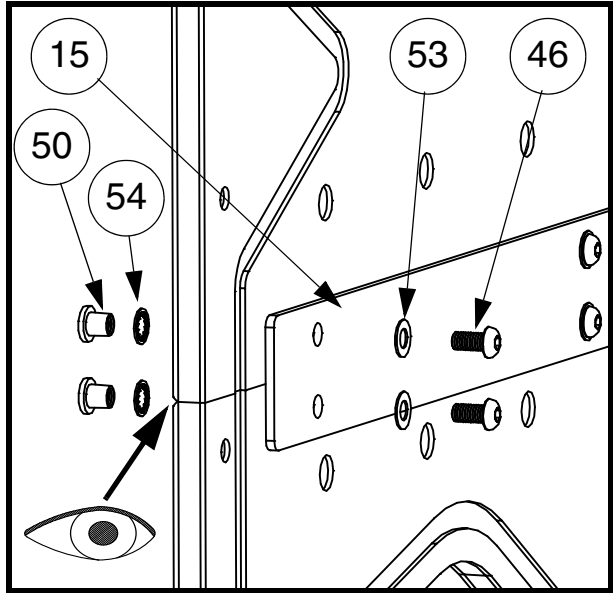
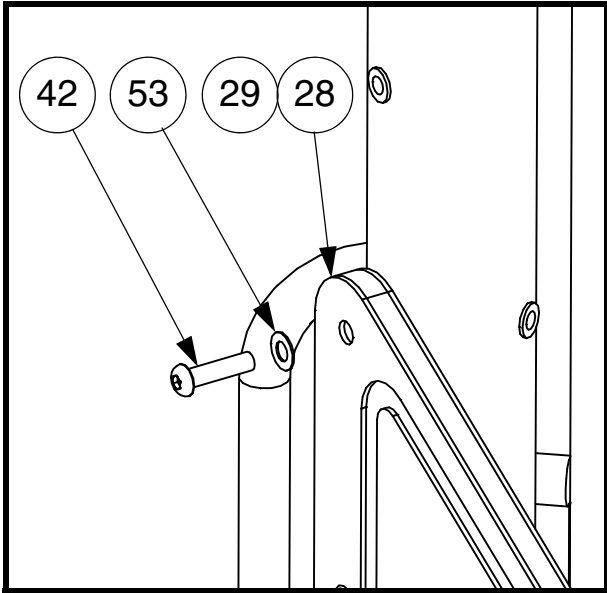
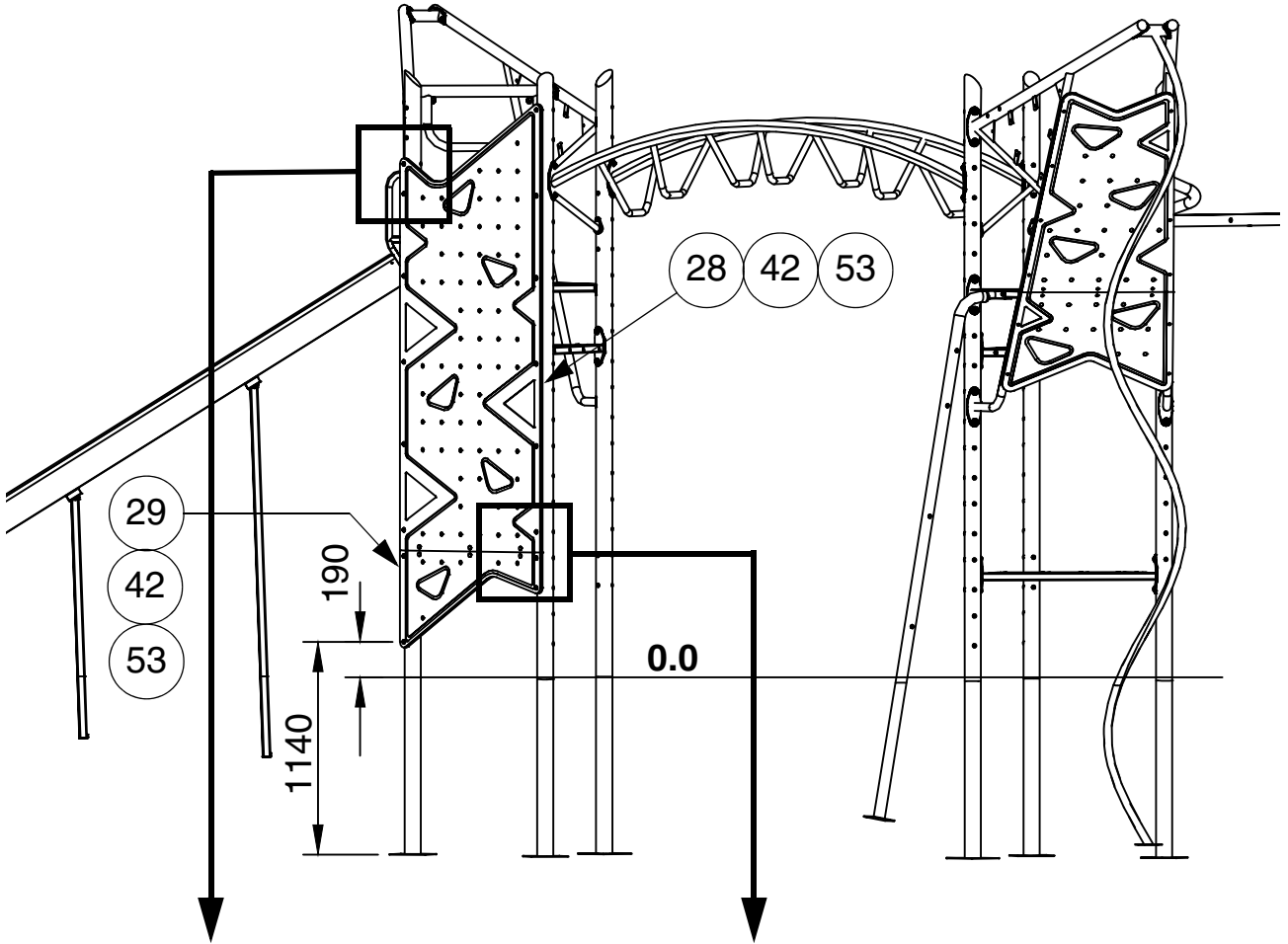


STEP 10

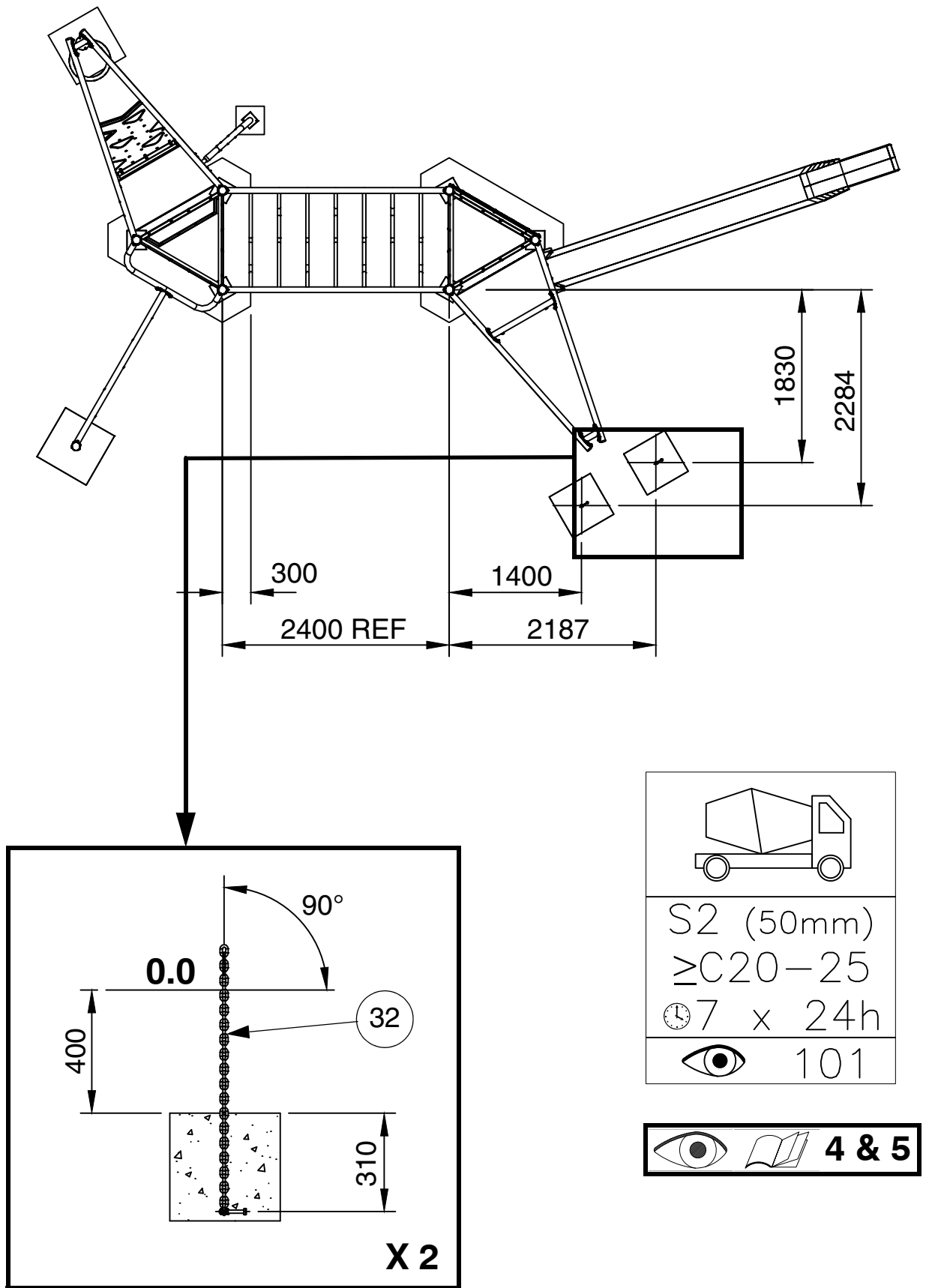


20-25Nm

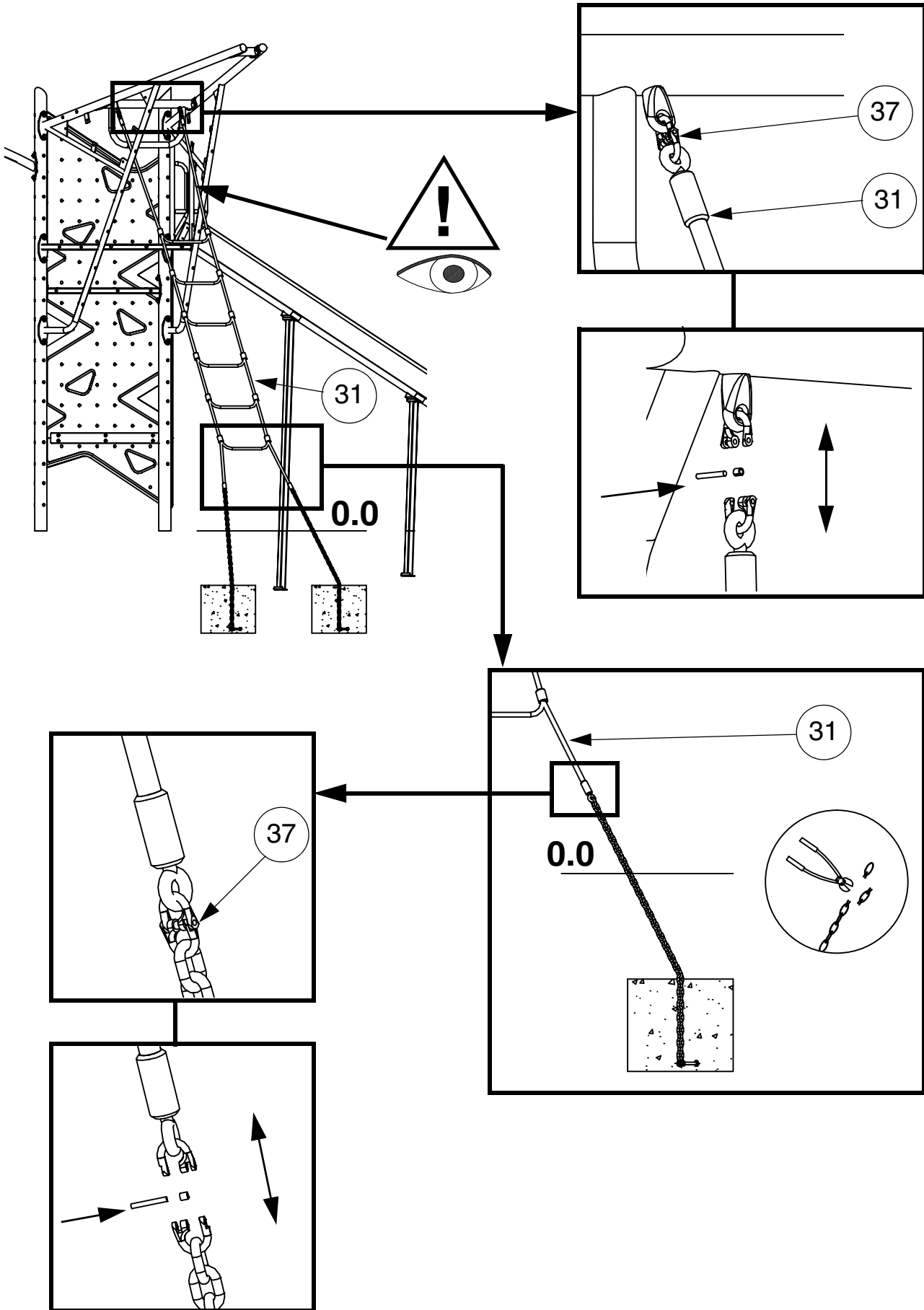
STEP 11



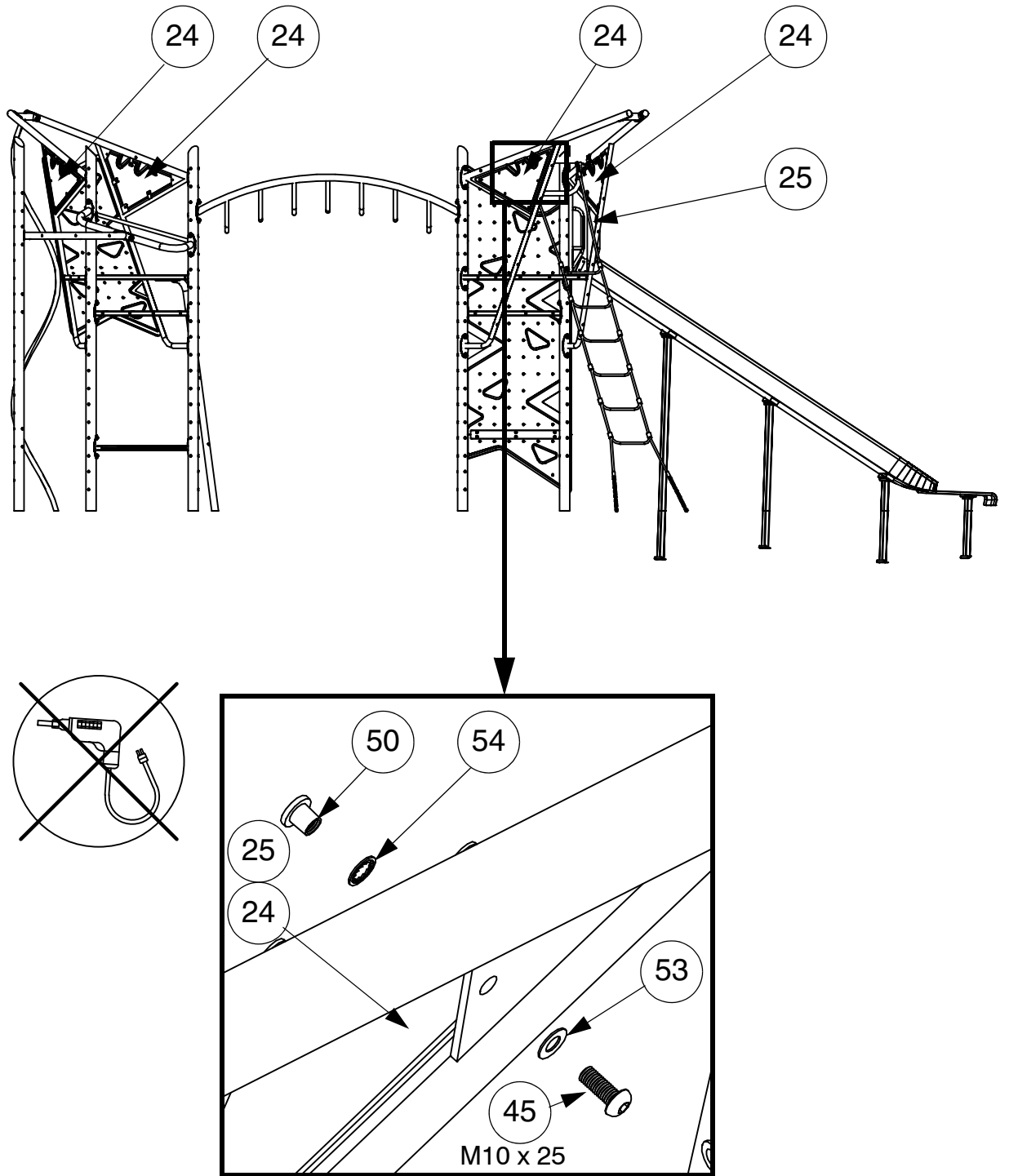
STEP 12



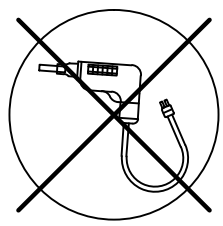
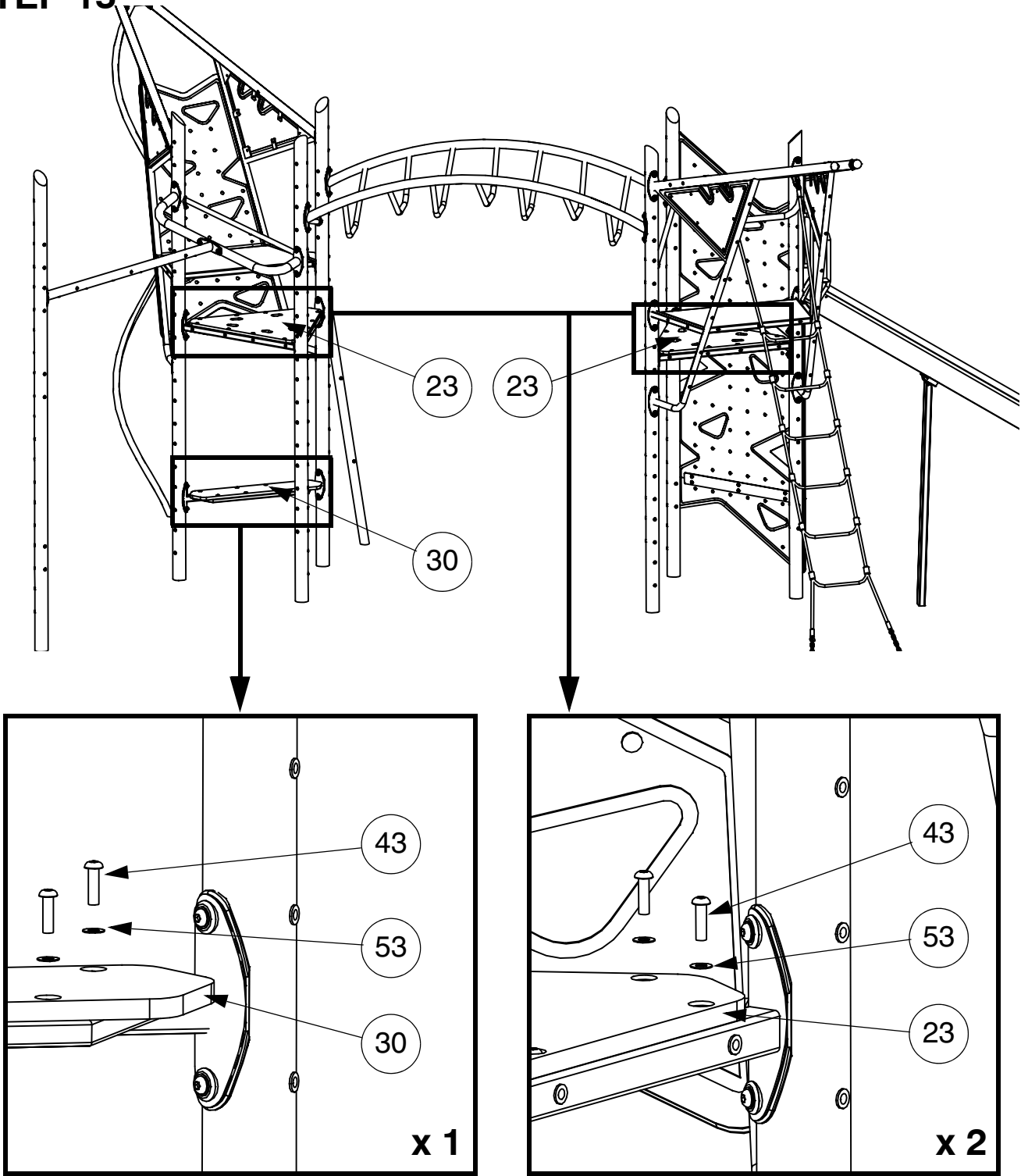
STEP 13



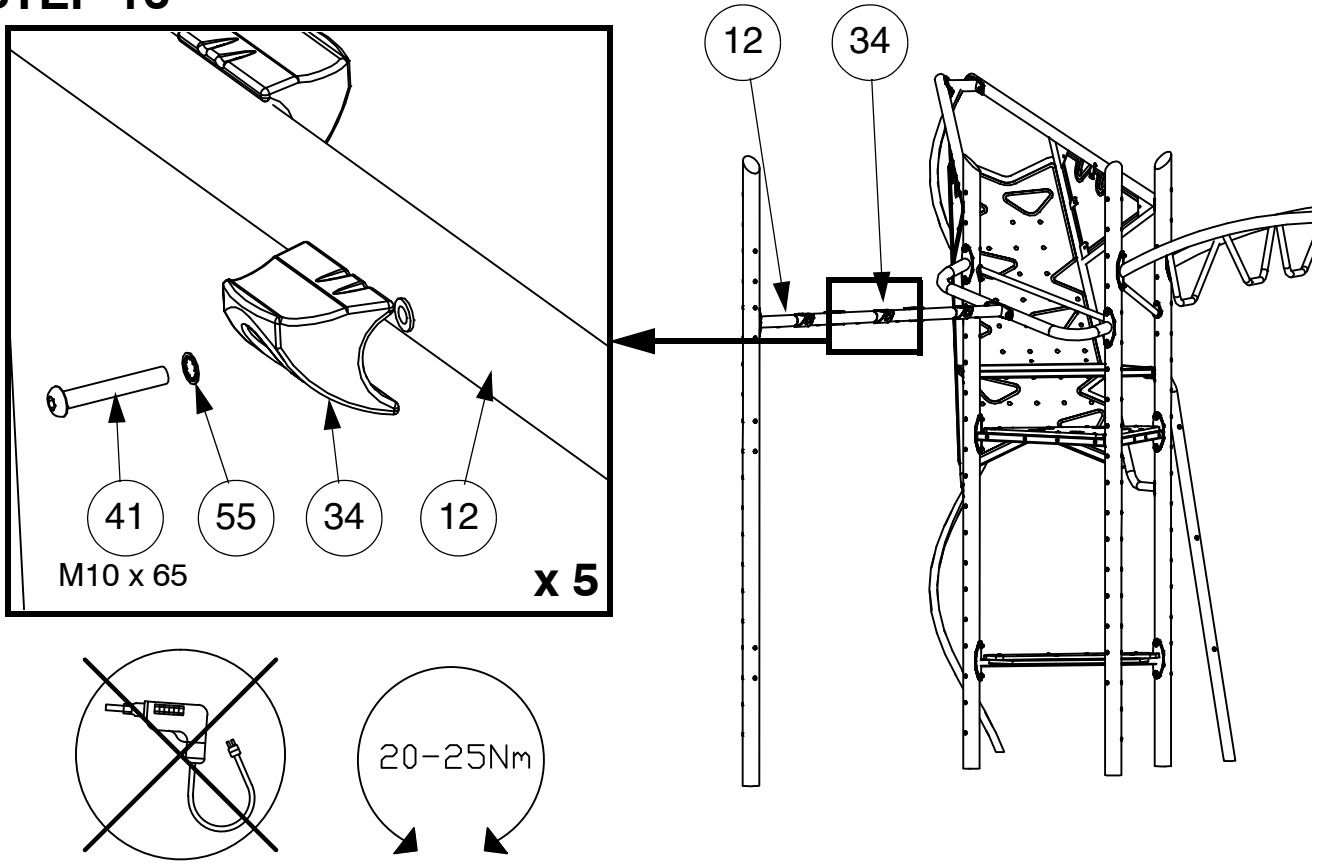
STEP 14



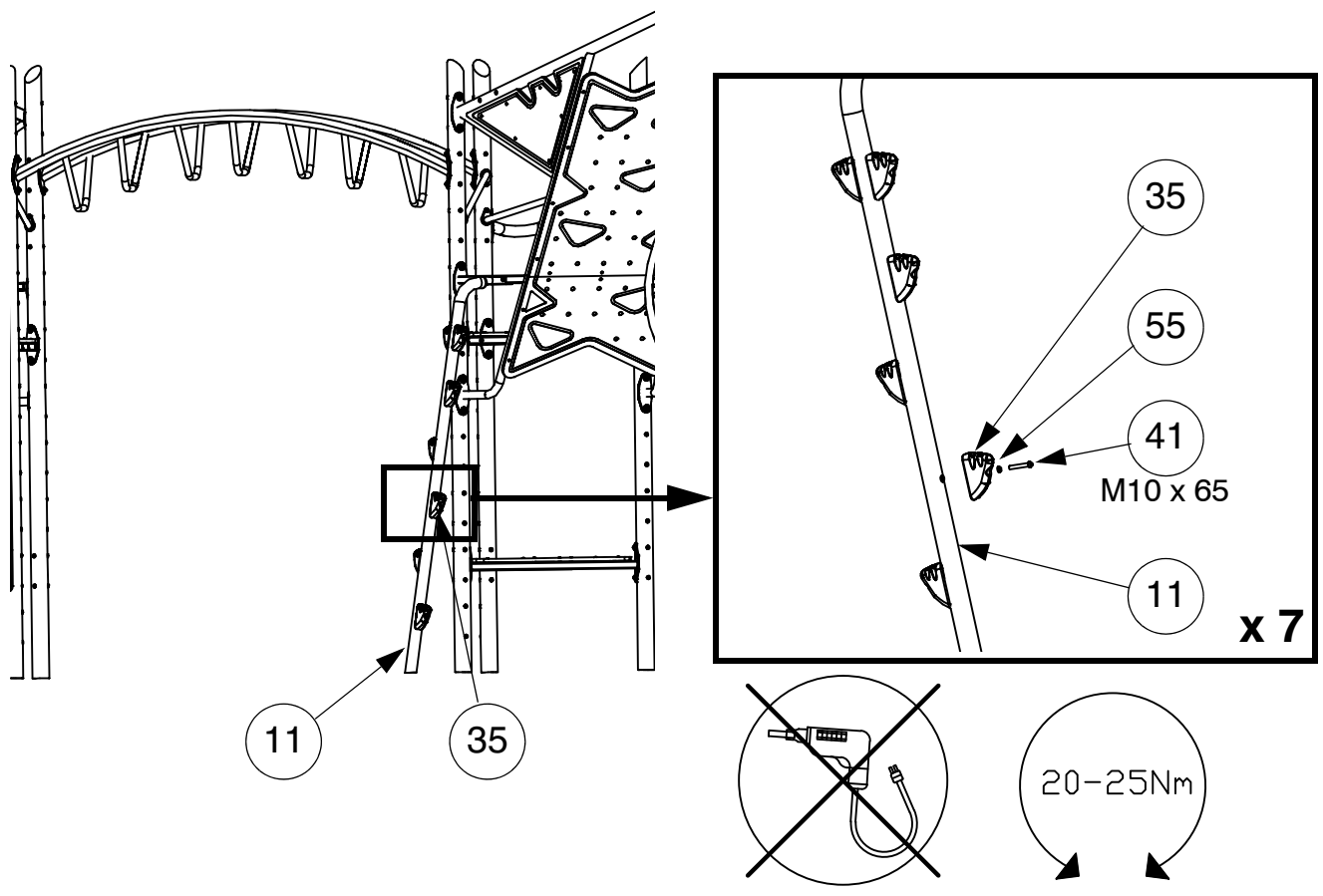
STEP 15



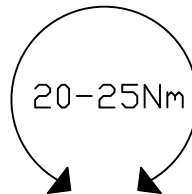
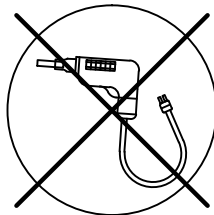
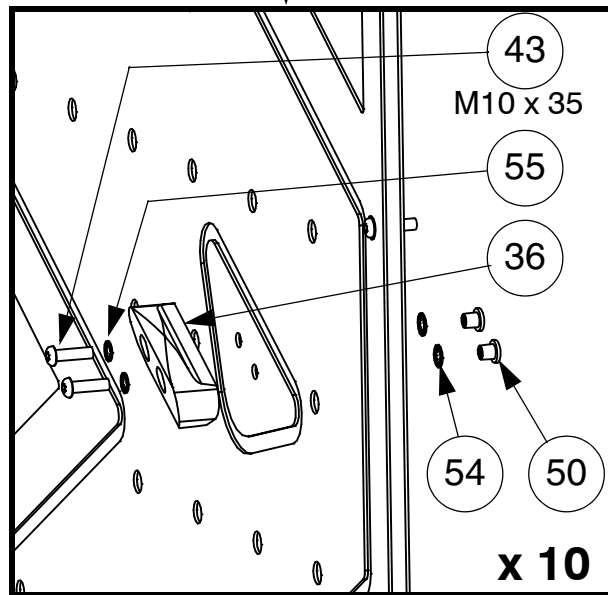
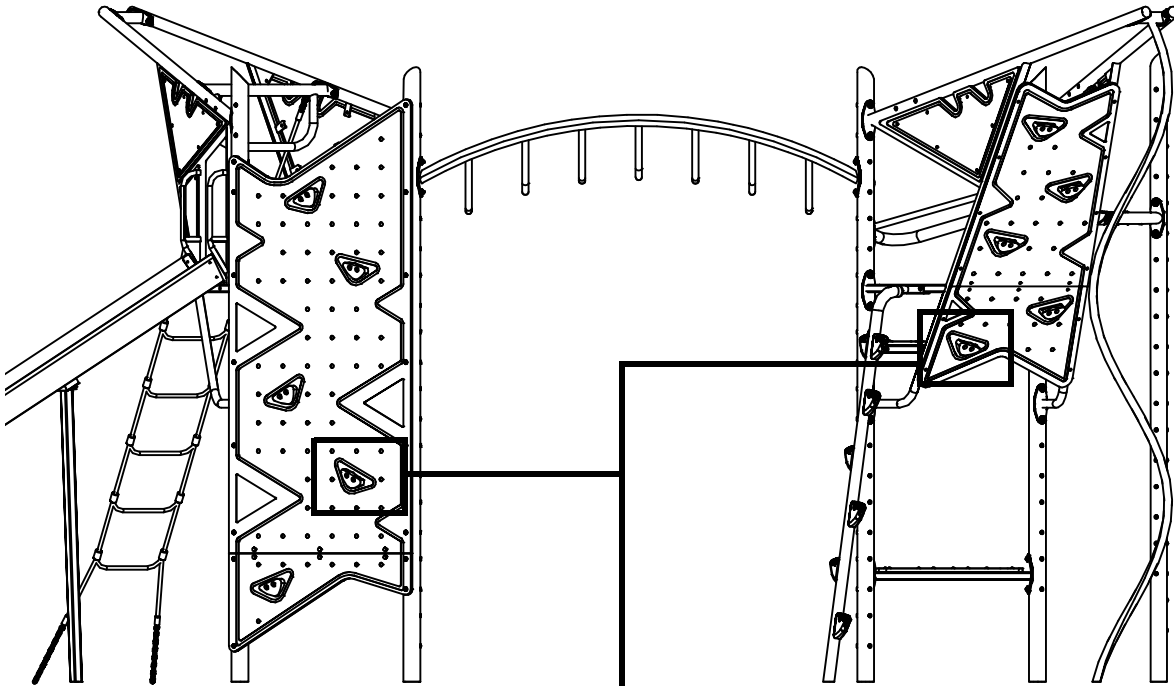
STEP 16



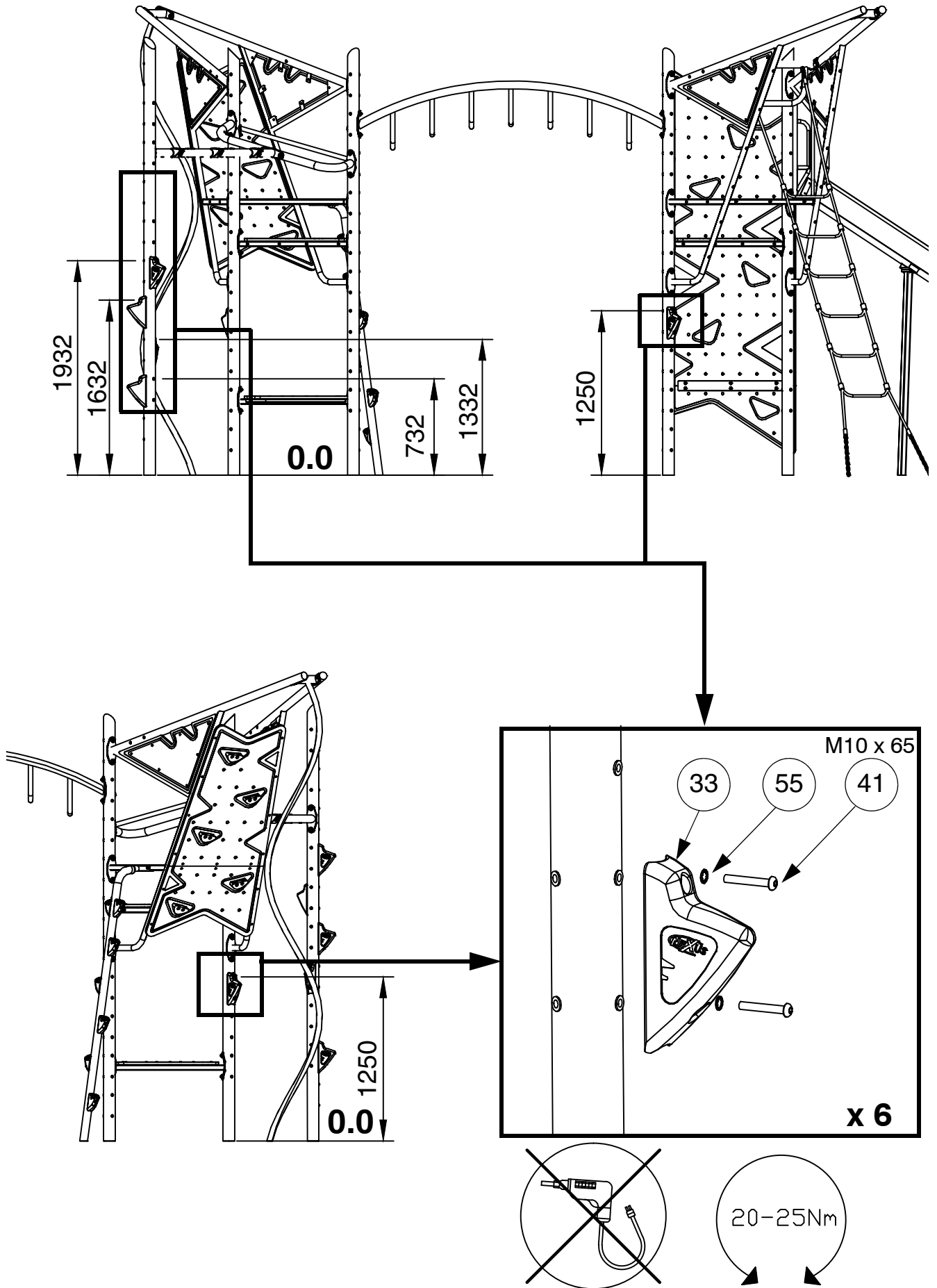
STEP 17



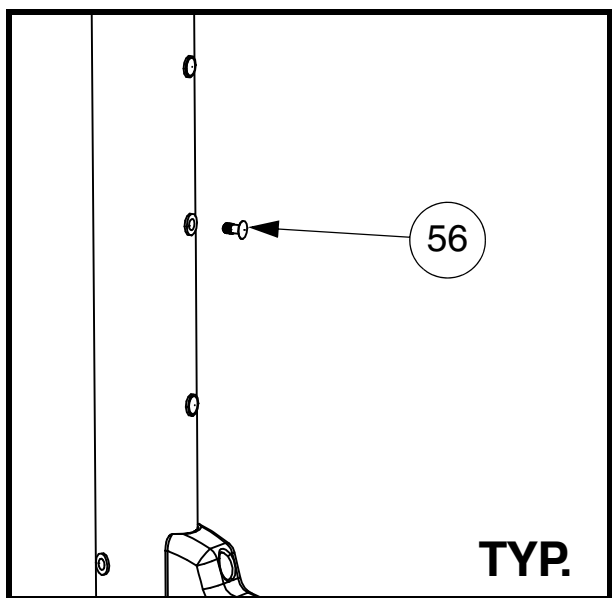
STEP 18



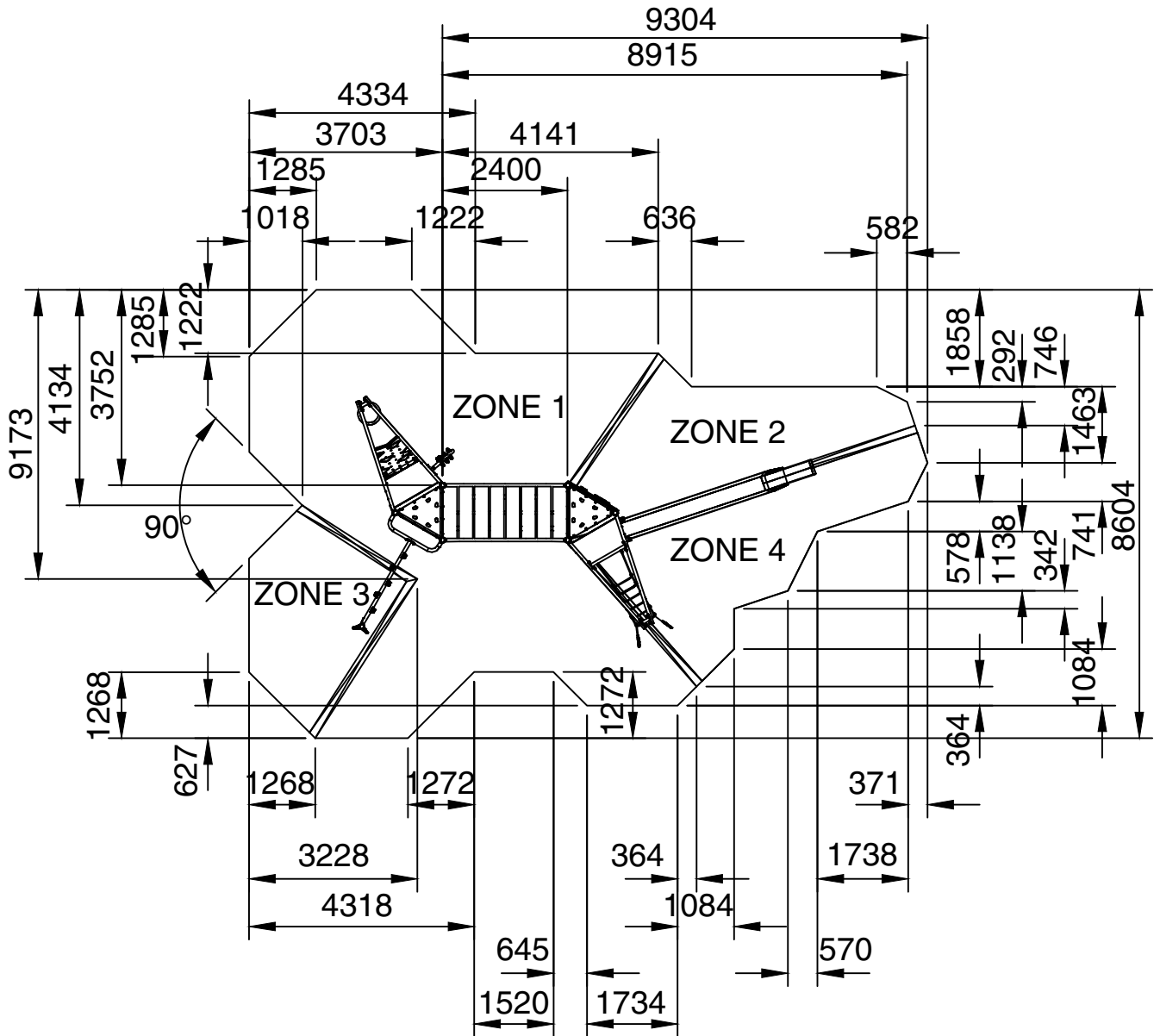
STEP 19



STEP 20



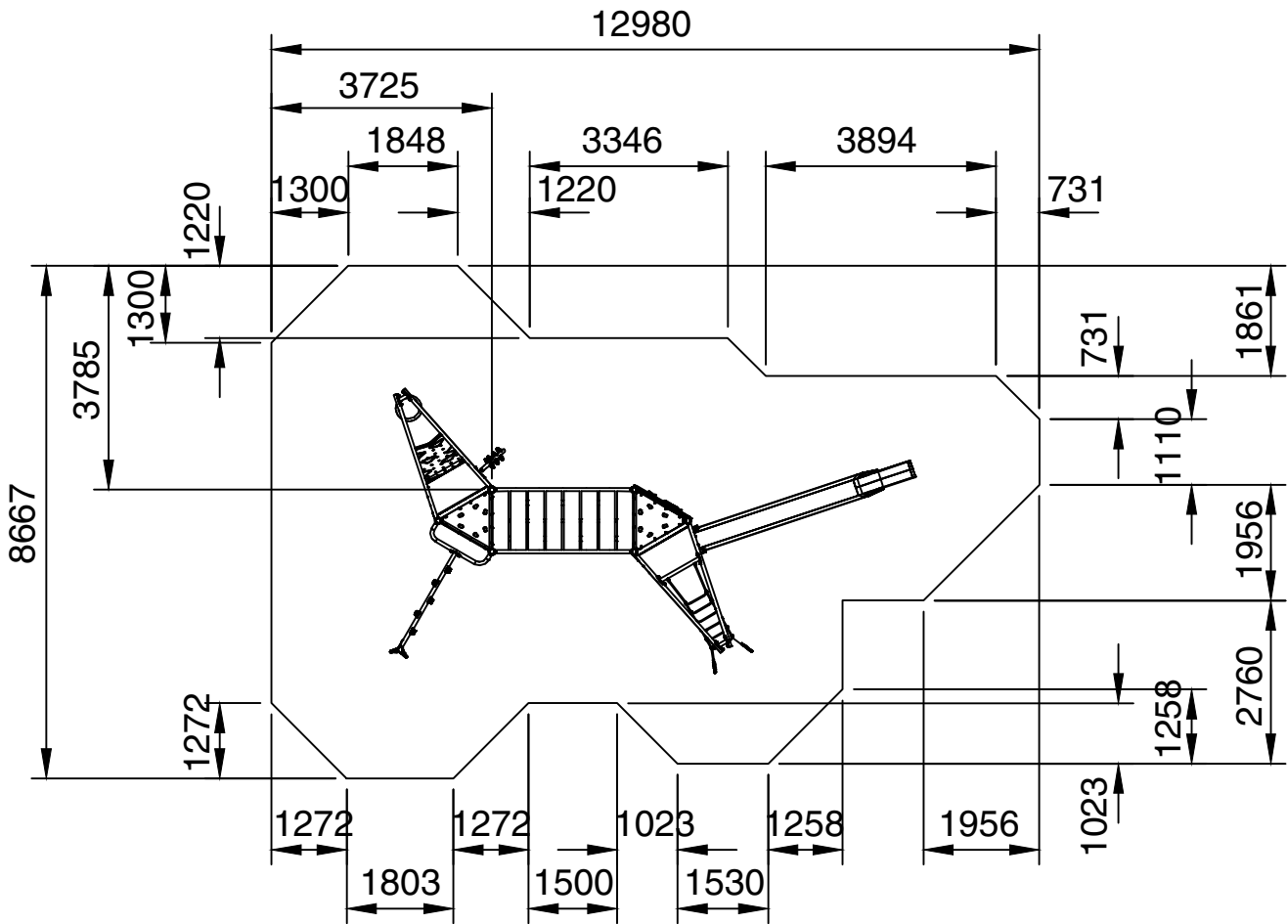
Appendix A:



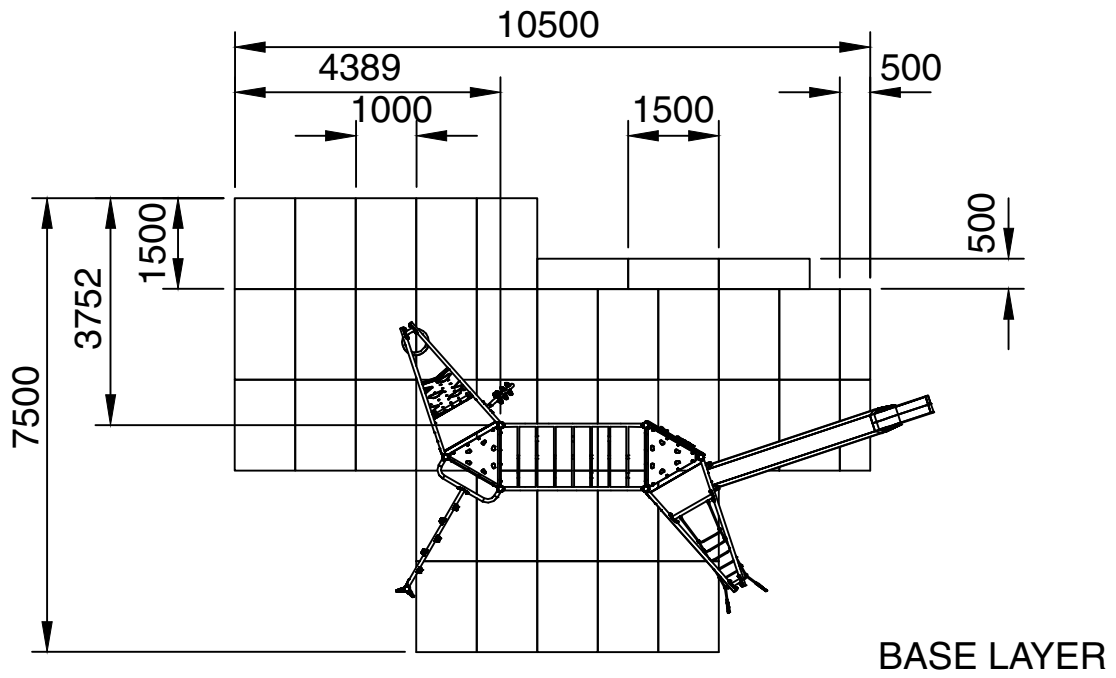
- ZONE 1 FREEFALL HEIGHT = 3M
- ZONE 2 FREEFALL HEIGHT = 2.7M
- ZONE 3 FREEFALL HEIGHT = 2.5M
- ZONE 4 FREEFALL HEIGHT = 2.2M

TYPE 3 SYNTHETIC

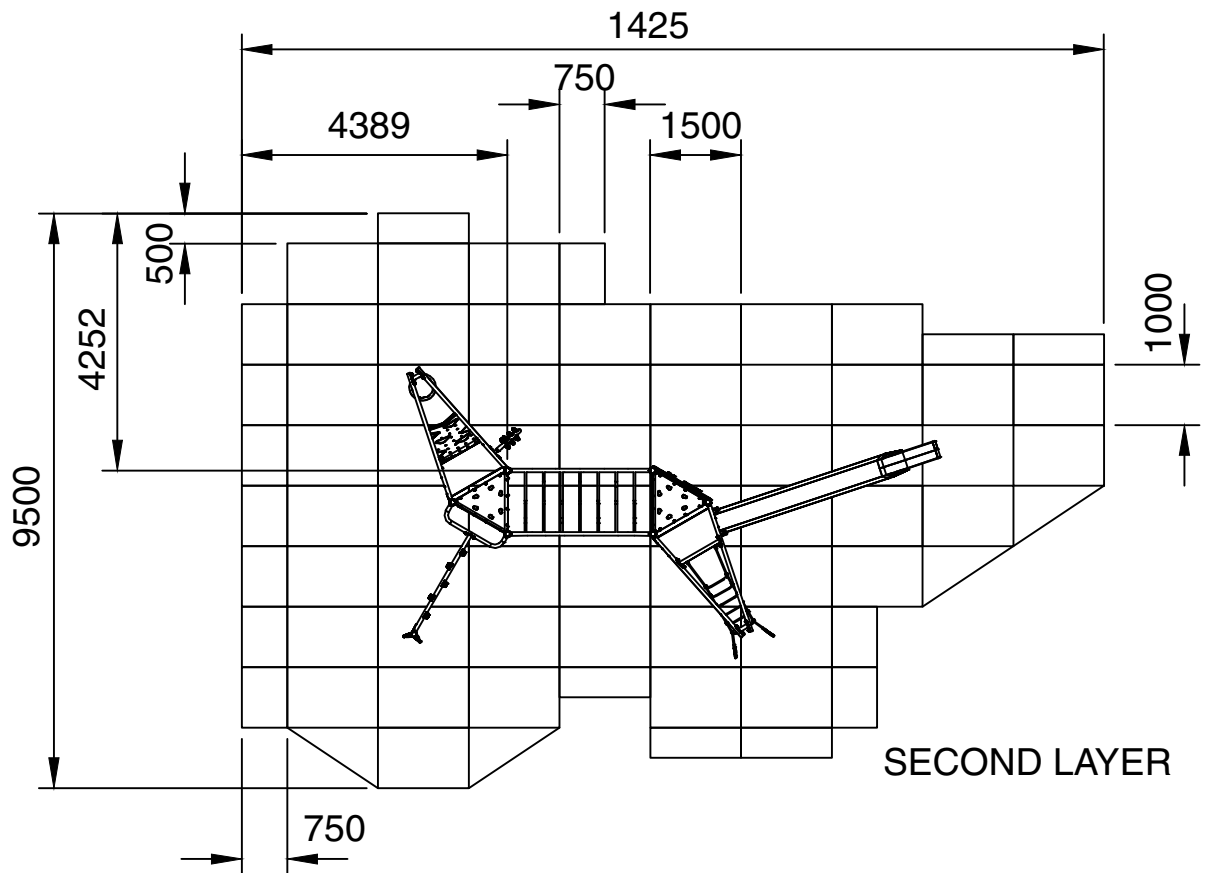




TYPE 1/2 LOOSEFILL  144



BASE LAYER



SECOND LAYER

TYPE 5 GRASSMATT FR



